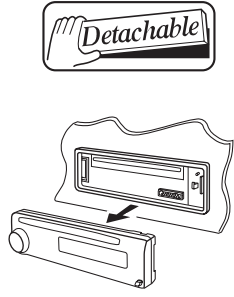


JVC

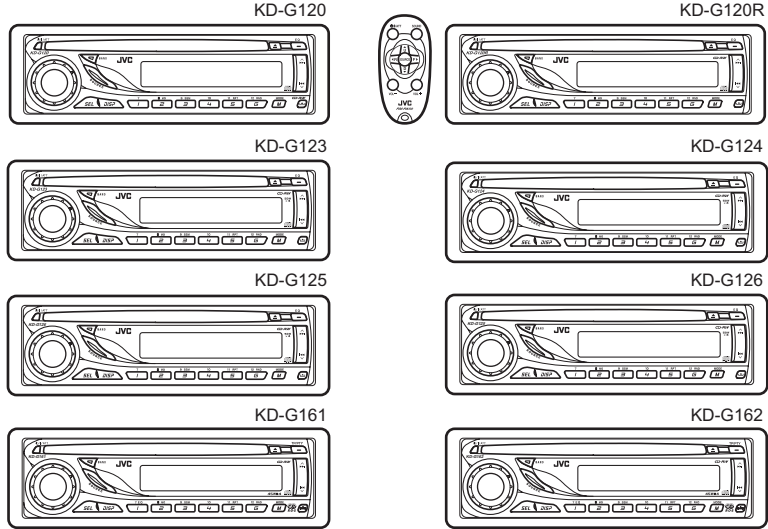
SERVICE MANUAL

CD RECEIVER

KD-G120, KD-G120R, KD-G123, KD-G124, KD-G125, KD-G126, KD-G161, KD-G162



Detachable




KD-G120, KD-G120R
Area suffix
J ----- Northern America

KD-G123, KD-G124
Area suffix
UI ----- India

KD-G125, KD-G126
Area suffix
UT ----- Taiwan
UH ----- Thailand
UN ----- Indonesia
U ----- Other Areas

KD-G161, KD-G162
Area suffix
E ----- Southern Europe
EX ----- Northern Europe
EY ----- Eastern Europe
EU ----- Turkey



Lead free solder used in the board (material : Sn-Ag-Cu, melting point : 219 Centigrade)

TABLE OF CONTENTS

1	PRECAUTIONS	1-6
2	SPECIFIC SERVICE INSTRUCTIONS	1-9
3	DISASSEMBLY	1-10
4	ADJUSTMENT	1-13
5	TROUBLESHOOTING	1-14

SPECIFICATION

KD-G120R/KD-G120

AUDIO AMPLIFIER SECTION		
Power Output		17 W RMS × 4 Channels at 4 Ω and [\leq] 1% THD+N
Signal to Noise Ratio		80 dBA (reference: 1 W into 4 Ω)
Load Impedance		4 Ω (4 Ω to 8 Ω allowance)
Tone Control Range	Bass	±10 dB at 100 Hz
	Treble	±10 dB at 10 kHz
Frequency Response		40 Hz to 20 000 Hz
Line-Out Level/Impedance		2.0 V/20 kΩ load (full scale)
Output Impedance		1 kΩ
Subwoofer-Out Level/Impedance		2.0 V/20 kΩ load (full scale)
TUNER SECTION		
Frequency Range	FM	87.5 MHz to 107.9 MHz (with channel interval set to 100 kHz or 200 kHz) 87.5 MHz to 108.0 MHz (with channel interval set to 50 kHz)
	AM	530 kHz to 1 710 kHz (with channel interval set to 10 kHz) 531 kHz to 1 602 kHz (with channel interval set to 9 kHz)
FM Tuner	Usable Sensitivity	11.3 dBf (1.0 μV/75 Ω)
	50 dB Quieting Sensitivity	16.3 dBf (1.8 μV/75 Ω)
	Alternate Channel Selectivity (400 kHz)	65 dB
	Frequency Response	40 Hz to 15 000 Hz
	Stereo Separation	35 dB
	Capture Ratio	1.5 dB
AM Tuner	Sensitivity	20 μV
	Selectivity	35 dB
CD PLAYER SECTION		
Type		Compact disc player
Signal Detection System		Non-contact optical pickup (semiconductor laser)
Number of channels		2 channels (stereo)
Frequency Response		5 Hz to 20 000 Hz
Dynamic Range		96 dB
Signal-to-Noise Ratio		98 dB
Wow and Flutter		Less than measurable limit
GENERAL		
Power Requirement	Operating Voltage	DC 14.4 V (11 V to 16 V allowance)
Grounding System		Negative ground
Allowable Operating Temperature		0°C to +40°C (32°F to 104°F)
Dimensions (W × H × D)	Installation Size (approx.)	182 mm × 52 mm × 150 mm (7-3/16" × 2-1/16" × 5-15/16")
	Panel Size (approx.)	188 mm × 58 mm × 11 mm (7-7/16" × 2-5/16" × 7/16")
Mass (approx.)		1.2 kg (2.6 lbs) (excluding accessories)

Design and specifications are subject to change without notice.

KD-G124/KD-G123

AUDIO AMPLIFIER SECTION		
Maximum Power Output	Front	50 W per channel
	Rear	50 W per channel
Continuous Power Output (RMS)	Front	19 W per channel into 4 Ω , 40 Hz to 20 000 Hz at no more than 0.8% total harmonic distortion.
	Rear	19 W per channel into 4 Ω , 40 Hz to 20 000 Hz at no more than 0.8% total harmonic distortion.
Load Impedance		4 Ω (4 Ω to 8 Ω allowance)
Tone Control Range	Bass	± 10 dB at 100 Hz
	Treble	± 10 dB at 10 kHz
Frequency Response		40 Hz to 20 000 Hz
Signal to Noise Ratio		70 dB
Line-Out Level/Impedance		2.0 V/20 k Ω load (full scale)
Output Impedance		1 k Ω
Subwoofer-Out Level/Impedance		2.0 V/20 k Ω load (full scale)
TUNER SECTION		
Frequency Range	FM	87.5 MHz to 108.0 MHz
	AM	531 kHz to 1 602 kHz
FM Tuner	Usable Sensitivity	11.3 dBf (1.0 μ V/75 Ω)
	50 dB Quieting Sensitivity	16.3 dBf (1.8 μ V/75 Ω)
	Alternate Channel Selectivity (400 kHz)	65 dB
	Frequency Response	40 Hz to 15 000 Hz
	Stereo Separation	35 dB
	Capture Ratio	1.5 dB
AM Tuner	Sensitivity	20 μ V
	Selectivity	35 dB
CD PLAYER SECTION		
Type		Compact disc player
Signal Detection System		Non-contact optical pickup (semiconductor laser)
Number of channels		2 channels (stereo)
Frequency Response		5 Hz to 20 000 Hz
Dynamic Range		96 dB
Signal-to-Noise Ratio		98 dB
Wow and Flutter		Wow and Flutter: Less than measurable limit
GENERAL		
Power Requirement	Operating Voltage	DC 14.4 V (11 V to 16 V allowance)
Grounding System		Negative ground
Allowable Operating Temperature		0°C to +40°C
Dimensions (W \times H \times D)	Installation Size (approx.)	182 mm \times 52 mm \times 150 mm
	Panel Size (approx.)	188 mm \times 58 mm \times 11 mm
Mass (approx.)		1.2 kg (excluding accessories)

Design and specifications are subject to change without notice.

KD-G126/KD-G125

AUDIO AMPLIFIER SECTION		
Maximum Power Output	Front	50 W per channel
	Rear	50 W per channel
Continuous Power Output (RMS)	Front	19 W per channel into 4 Ω , 40 Hz to 20 000 Hz at no more than 0.8% total harmonic distortion.
	Rear	19 W per channel into 4 Ω , 40 Hz to 20 000 Hz at no more than 0.8% total harmonic distortion.
Load Impedance		4 Ω (4 Ω to 8 Ω allowance)
Tone Control Range	Bass	± 10 dB at 100 Hz
	Treble	± 10 dB at 10 kHz
Frequency Response		40 Hz to 20 000 Hz
Signal to Noise Ratio		70 dB
Line-Out Level/Impedance		2.0 V/20 k Ω load (full scale)
Output Impedance		1 k Ω
Subwoofer-Out Level/Impedance		2.0 V/20 k Ω load (full scale)
TUNER SECTION		
Frequency Range	FM	87.5 MHz to 108.0 MHz
	AM	531 kHz to 1 602 kHz
FM Tuner	Usable Sensitivity	11.3 dBf (1.0 μ V/75 Ω)
	50 dB Quietening Sensitivity	16.3 dBf (1.8 μ V/75 Ω)
	Alternate Channel Selectivity (400 kHz)	65 dB
	Frequency Response	40 Hz to 15 000 Hz
	Stereo Separation	35 dB
AM Tuner	Capture Ratio	1.5 dB
	Sensitivity	20 μ V
	Selectivity	35 dB
CD PLAYER SECTION		
Type		Compact disc player
Signal Detection System		Non-contact optical pickup (semiconductor laser)
Number of channels		2 channels (stereo)
Frequency Response		5 Hz to 20 000 Hz
Dynamic Range		96 dB
Signal-to-Noise Ratio		98 dB
Wow and Flutter		Less than measurable limit
GENERAL		
Power Requirement	Operating Voltage	DC 14.4 V (11 V to 16 V allowance)
Grounding System		Negative ground
Allowable Operating Temperature		0°C to +40°C
Dimensions (W \times H \times D)	Installation Size (approx.)	182 mm \times 52 mm \times 150 mm
	Panel Size (approx.)	188 mm \times 58 mm \times 11 mm
Mass (approx.)		1.2 kg (excluding accessories)

Design and specifications are subject to change without notice.


KD-G162/KD-G161

AUDIO AMPLIFIER SECTION		
Maximum Power Output	Front	45 W per channel
	Rear	45 W per channel
Continuous Power Output (RMS)	Front	17 W per channel into 4 Ω , 40 Hz to 20 000 Hz at no more than 0.8% total harmonic distortion.
	Rear	17 W per channel into 4 Ω , 40 Hz to 20 000 Hz at no more than 0.8% total harmonic distortion.
Load Impedance		4 Ω (4 Ω to 8 Ω allowance)
Tone Control Range	Bass	± 10 dB at 100 Hz
	Treble	± 10 dB at 10 kHz
Frequency Response		40 Hz to 20 000 Hz
Signal-to-Noise Ratio		70 dB
Line-Out Level/Impedance		2.0 V/20 k Ω load (full scale)
Output Impedance		1 k Ω
TUNER SECTION		
Frequency Range	FM	87.5 MHz to 108.0 MHz
	AM	(MW) 522 kHz to 1 620 kHz (LW) 144 kHz to 279 kHz
FM Tuner	Usable Sensitivity	11.3 dBf (1.0 μ V/75 Ω)
	50 dB Quieting Sensitivity	16.3 dBf (1.8 μ V/75 Ω)
	Alternate Channel Selectivity (400 kHz)	65 dB
	Frequency Response	40 Hz to 15 000 Hz
	Stereo Separation	30 dB
	Capture Ratio	1.5 dB
MW Tuner	Sensitivity	20 μ V
	Selectivity	35 dB
LW Tuner	Sensitivity	50 μ V
CD PLAYER SECTION		
Type		Compact disc player
Signal Detection System		Non-contact optical pickup (semiconductor laser)
Number of Channels		2 channels (stereo)
Frequency Response		5 Hz to 20 000 Hz
Dynamic Range		96 dB
Signal-to-Noise Ratio		98 dB
Wow and Flutter		Less than measurable limit
GENERAL		
Power Requirement	Operating Voltage	DC 14.4 V (11 V to 16 V allowance)
Grounding System		Negative ground
Allowable Operating Temperature		0°C to +40°C
Dimensions (W \times H \times D)	Installation Size (approx.)	182 mm \times 52 mm \times 150 mm
	Panel Size (approx.)	188 mm \times 58 mm \times 11 mm
Mass (approx.)		1.2 kg (excluding accessories)

Design and specifications are subject to change without notice.

SECTION 1 PRECAUTIONS

1.1 Safety Precautions

 **CAUTION** Burrs formed during molding may be left over on some parts of the chassis. Therefore, pay attention to such burrs in the case of performing repair of this system.

 **CAUTION** Please use enough caution not to see the beam directly or touch it in case of an adjustment or operation check.

1.2 Preventing static electricity

Electrostatic discharge (ESD), which occurs when static electricity stored in the body, fabric, etc. is discharged, can destroy the laser diode in the traverse unit (optical pickup). Take care to prevent this when performing repairs.

1.2.1 Grounding to prevent damage by static electricity

Static electricity in the work area can destroy the optical pickup (laser diode) in devices such as CD players.

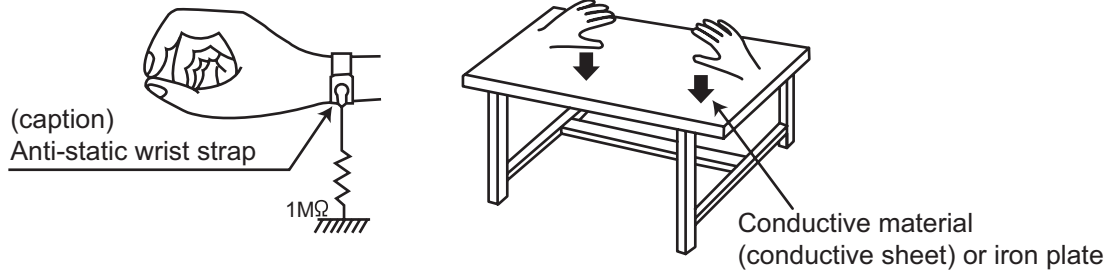
Be careful to use proper grounding in the area where repairs are being performed.

(1) Ground the workbench

Ground the workbench by laying conductive material (such as a conductive sheet) or an iron plate over it before placing the traverse unit (optical pickup) on it.

(2) Ground yourself

Use an anti-static wrist strap to release any static electricity built up in your body.



(3) Handling the optical pickup

- In order to maintain quality during transport and before installation, both sides of the laser diode on the replacement optical pickup are shorted. After replacement, return the shorted parts to their original condition. (Refer to the text.)
- Do not use a tester to check the condition of the laser diode in the optical pickup. The tester's internal power source can easily destroy the laser diode.

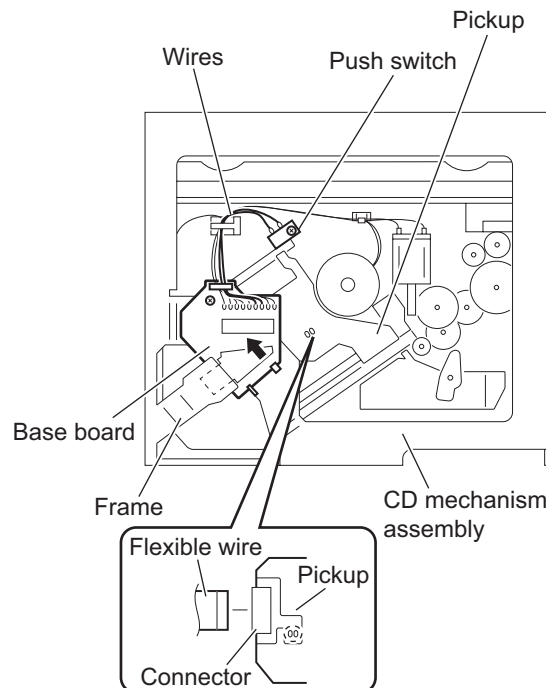
1.3 Handling the traverse unit (optical pickup)

- (1) Do not subject the traverse unit (optical pickup) to strong shocks, as it is a sensitive, complex unit.
- (2) Cut off the shorted part of the flexible cable using nippers, etc. after replacing the optical pickup. For specific details, refer to the replacement procedure in the text. Remove the anti-static pin when replacing the traverse unit. Be careful not to take too long a time when attaching it to the connector.
- (3) Handle the flexible cable carefully as it may break when subjected to strong force.
- (4) It is not possible to adjust the semi-fixed resistor that adjusts the laser power. Do not turn it.

1.4 Attention when traverse unit is decomposed

***Please refer to "Disassembly method" in the text for the CD pickup unit.**

- Apply solder to the short land before the flexible wire is disconnected from the connector on the CD pickup unit. (If the flexible wire is disconnected without applying solder, the CD pickup may be destroyed by static electricity.)
- In the assembly, be sure to remove solder from the short land after connecting the flexible wire.



1.5 Important for laser products

1.CLASS 1 LASER PRODUCT

2.DANGER : Invisible laser radiation when open and interlock failed or defeated. Avoid direct exposure to beam.

3.CAUTION : There are no serviceable parts inside the Laser Unit. Do not disassemble the Laser Unit. Replace the complete Laser Unit if it malfunctions.

4.CAUTION : The CD,MD and DVD player uses invisible laser radiation and is equipped with safety switches which prevent emission of radiation when the drawer is open and the safety interlocks have failed or are defeated. It is dangerous to defeat the safety switches.

5.CAUTION : If safety switches malfunction, the laser is able to function.

6.CAUTION : Use of controls, adjustments or performance of procedures other than those specified here in may result in hazardous radiation exposure.



CAUTION Please use enough caution not to see the beam directly or touch it in case of an adjustment or operation check.

CAUTION : Visible and invisible laser radiation when open and interlock failed or defeated.

AVOID DIRECT EXPOSURE TO BEAM.

ADVARSEL : Synlig og usynlig laserstråling når maskinen er åben eller interlocken fejler. Undgå direkte eksponering til stråling.

VARNING : Synlig och osynlig laserstråling när den öppnas och spärren är urkopplad. Betrakta ej strålen.

VARO : Avattaessa ja suojalukitus ohitettuna tai viallisena olet alttiina näkyvälle ja näkymättömälle lasersäteilylle. Vältä säteen kohdistumista suoraan itseesi.

REPRODUCTION AND POSITION OF LABELS

WARNING LABEL



CAUTION : Visible and Invisible laser radiation when open and interlock failed or defeated. AVOID DIRECT EXPOSURE TO BEAM.	ADVARSEL : Synlig og usynlig laserstråling når maskinen er åben eller interlocken fejler. Undgå direkte eksponering til stråling.	VARNING : Synlig och osynlig laserstråling när den öppnas och spärren är urkopplad. Betrakta ej strålen.	VARO : Avattaessa ja suojalukitus ohitettuna tai viallisena olet alttiina näkyvälle ja näkymättömälle lasersäteilylle. Vältä säteen kohdistumista suoraan itseesi.
(e)	(d)	(s)	(f)

SECTION 2

SPECIFIC SERVICE INSTRUCTIONS

2.1 CD mechanism

For the CD mechanism, please refer mechanism manual TN2007-1001 (No. MY003).

SECTION 3 DISASSEMBLY

3.1 Main body section

3.1.1 Removing the front panel assembly (See Fig.1)

- (1) Push the detach button in the lower right part of the front panel assembly and remove the front panel assembly.

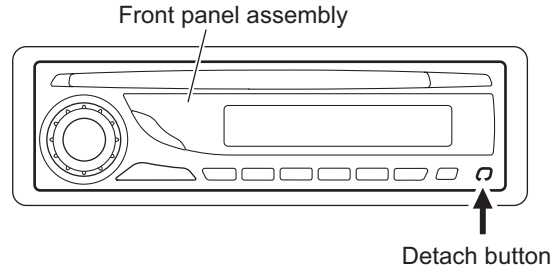


Fig.1

3.1.2 Removing the bottom cover (See Fig.2)

- (1) Turn the main body up side down.
- (2) Insert a screwdriver under the joints to release the two joints **a** on the left side, two joints **b** on the right side and joint **c** on the back side of the main body, then remove the bottom cover from the main body.

Note:

When releasing the joints using a screwdriver, do not damage the main board.

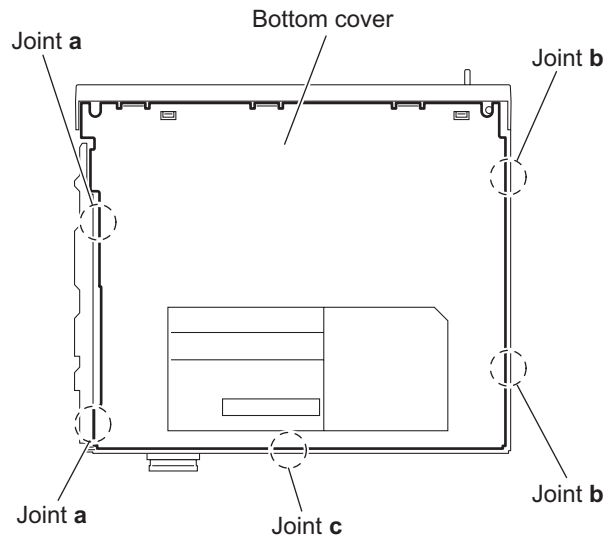


Fig.2

3.1.3 Removing the front chassis assembly (See Fig.3)

- Remove the front panel assembly and bottom cover.
 - (1) Remove the two screws **A** on the both sides of the main body.
 - (2) Release the two joints **d** and two joints **e** on the both sides of the main body, then remove the front chassis assembly toward the front.

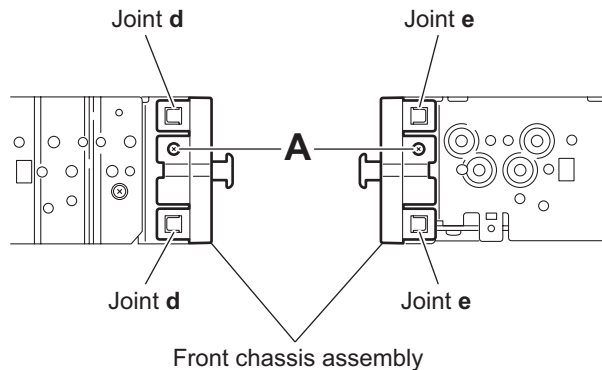


Fig.3

3.1.4 Removing the side panel (See Fig.4)

Reference:

Remove the front panel assembly as required.

- (1) Remove the screw **B** and two screws **C** attaching the side panel on the left side of the main body.
- (2) Remove the side panel from the main body.

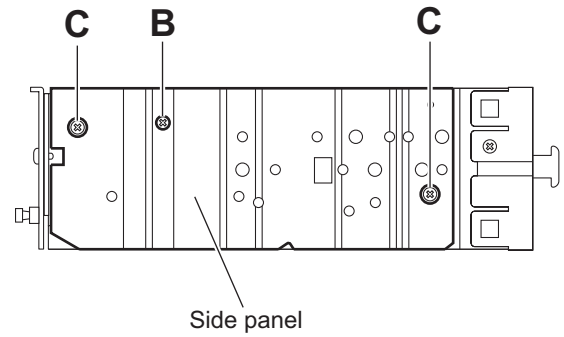


Fig.4

3.1.5 Removing the rear bracket (See Fig.5)

- Remove the bottom cover.

- (1) Remove the three screws **D**, three screws **E** and two screws **F** attaching the rear bracket on the back side of the main body.
- (2) Remove the rear bracket.

3.1.6 Removing the main board (See Figs.5 and 6)

- Remove the front panel assembly, bottom cover and side panel.

Reference:

Remove the front chassis assembly as required.

- (1) Remove the three screws **D** attaching the rear bracket on the back side of the main body. (See Fig.5.)
- (2) Remove the two screws **G** attaching the main board. (See Fig.6.)
- (3) Disconnect the connector [CN501](#) on the main board from the main body and take out the main board with the rear bracket. (See Fig.6.)

Reference:

Remove the rear bracket from the main body as required. (See "3.1.5 Removing the rear bracket".)

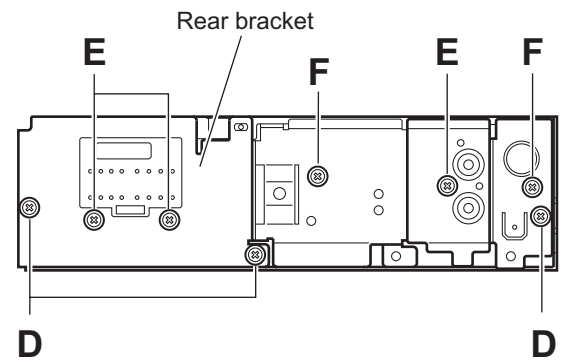


Fig.5

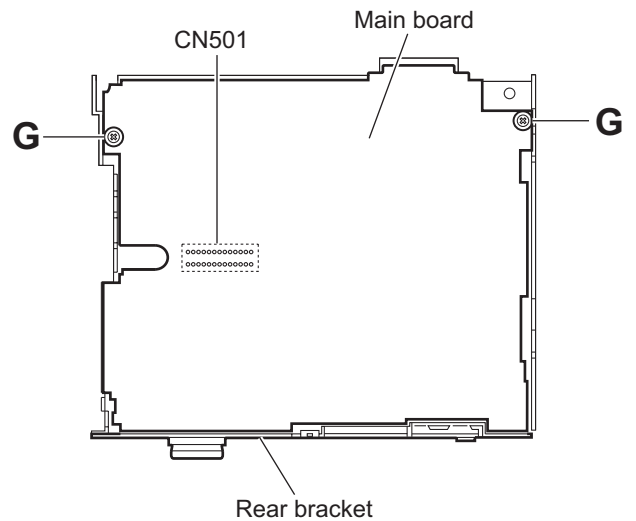


Fig.6

**3.1.7 Removing the CD mechanism assembly
(See Fig. 7)**

- Remove the front panel assembly, bottom cover, side panel, rear bracket and main board.

Reference:

Remove the front chassis assembly as required.

- Remove the three screws **H** attaching the CD mechanism assembly on the top chassis.
- Take out the CD mechanism assembly.

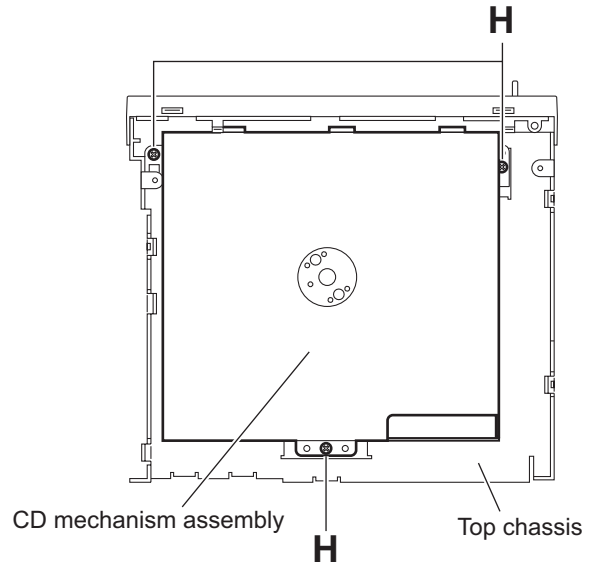


Fig.7

**3.1.8 Removing the switch board
(See Figs.8 to 10)**

- Remove the front panel assembly.
 - Remove the four screws **J** on the back side of the front panel assembly. (See Fig.8.)
 - Release the joints **f** and remove the rear cover. (See Fig.9.)
 - Release the joint **g** and take out the switch board from the front panel assembly. (See Fig.10.)

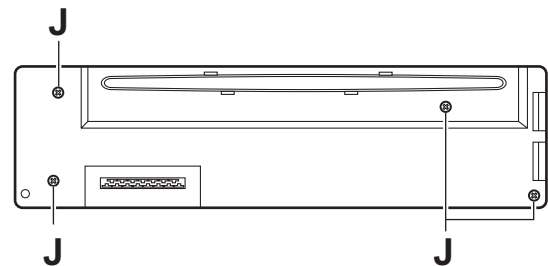


Fig.8

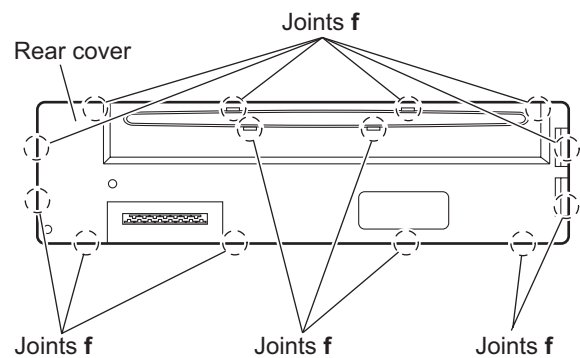


Fig.9

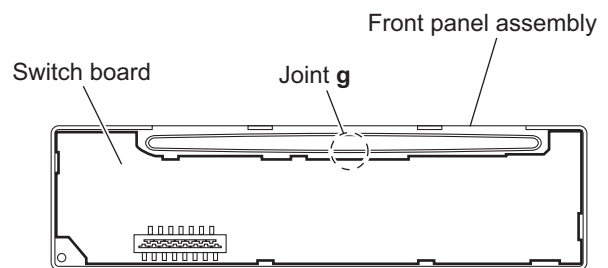


Fig.10

SECTION 4 ADJUSTMENT

4.1 Adjustment method

■ Test instruments required for adjustment

- (1) Digital oscilloscope (100MHz)
- (2) Electric voltmeter
- (3) Digital tester
- (4) Tracking offset meter
- (5) Test Disc JVC :CTS-1000
- (6) Extension cable for check
EXTSH002-22P × 1

■ Standard volume position

Balance and Bass & Treble volume : Indication "0"
Loudness : OFF

■ How to connect the extension cable for adjusting

Caution:

Be sure to attach the heat sink and rear bracket onto the power amplifier IC and regulator IC respectively, before supply the power. If voltage is applied without attaching these parts, the power amplifier IC and regulator IC will be destroyed by heat.

■ Standard measuring conditions

Power supply voltage	DC14.4V(10.5 to 16V)
Load impedance	20K Ω (2 Speakers connection)
Output Level	Line out 2.0V (Vol. MAX)

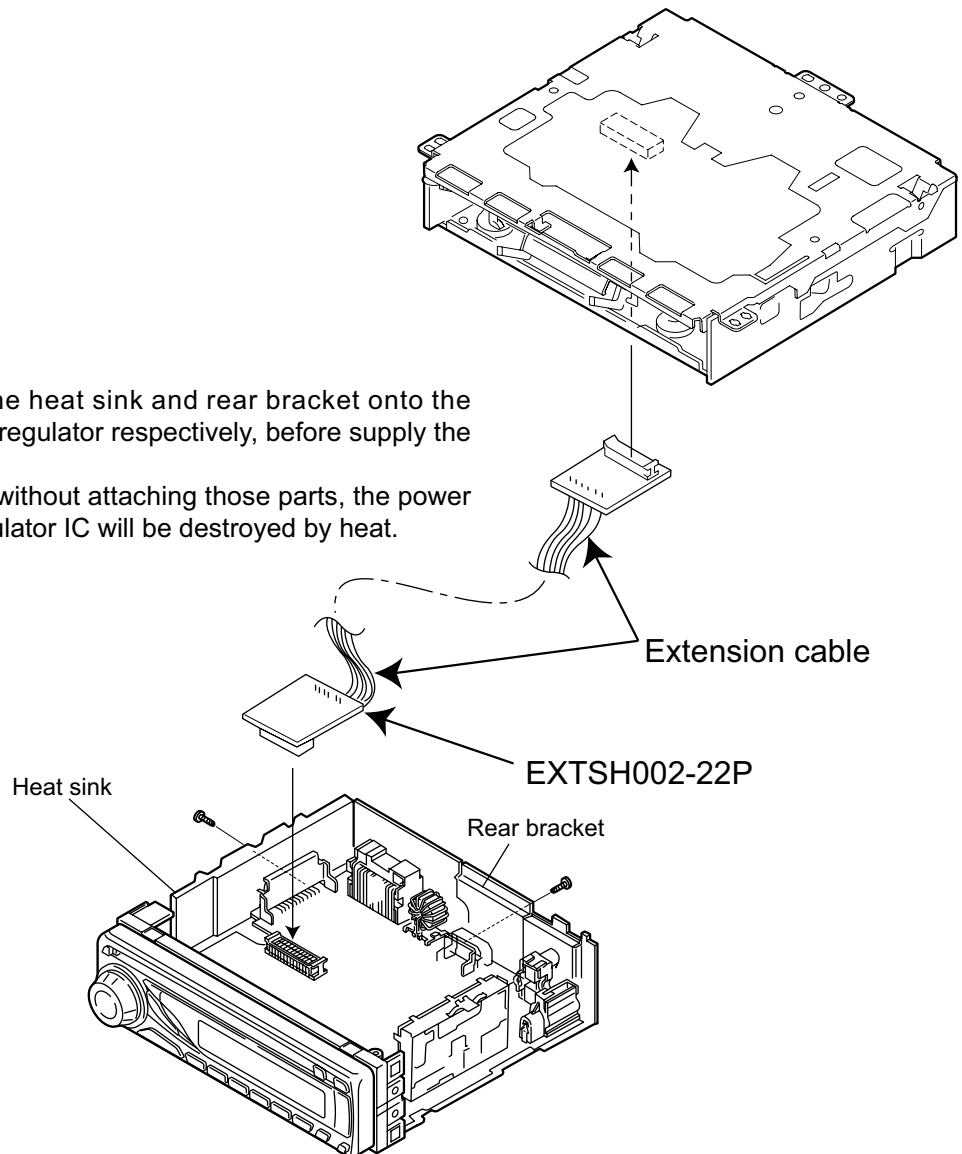
■ Dummy load

Exclusive dummy load should be used for AM, and FM. For FM dummy load, there is a loss of 6dB between SSG output and antenna input. The loss of 6dB need not be considered since direct reading of figures are applied in this working standard.

CAUTION :

Be sure to attach the heat sink and rear bracket onto the power amplifier and regulator respectively, before supply the power.

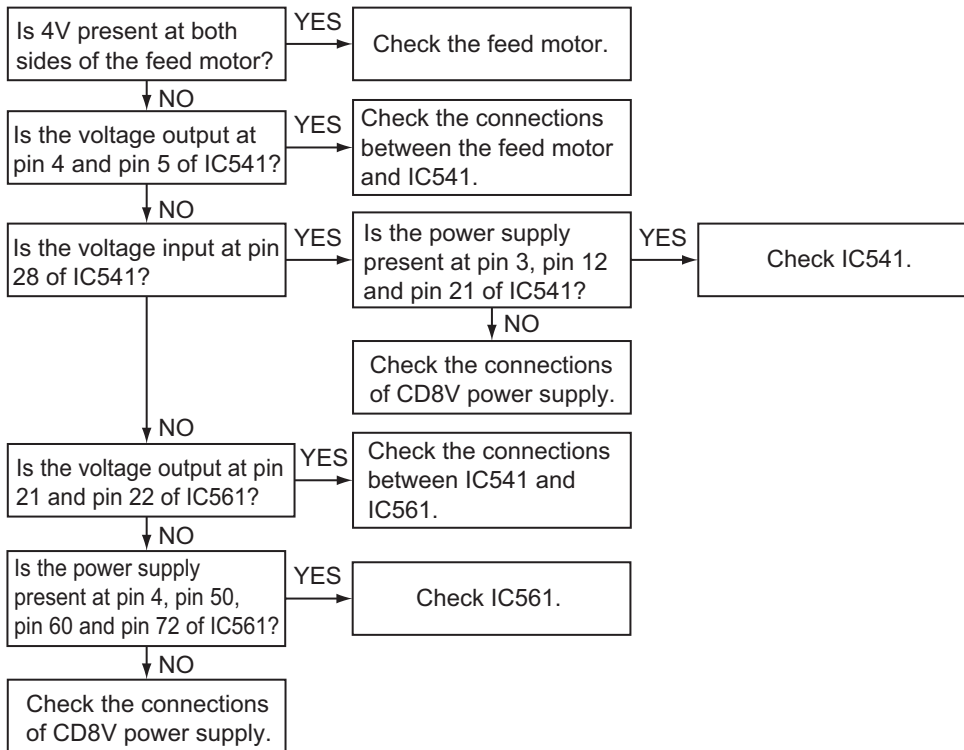
If voltage is applied without attaching those parts, the power amplifier IC and regulator IC will be destroyed by heat.



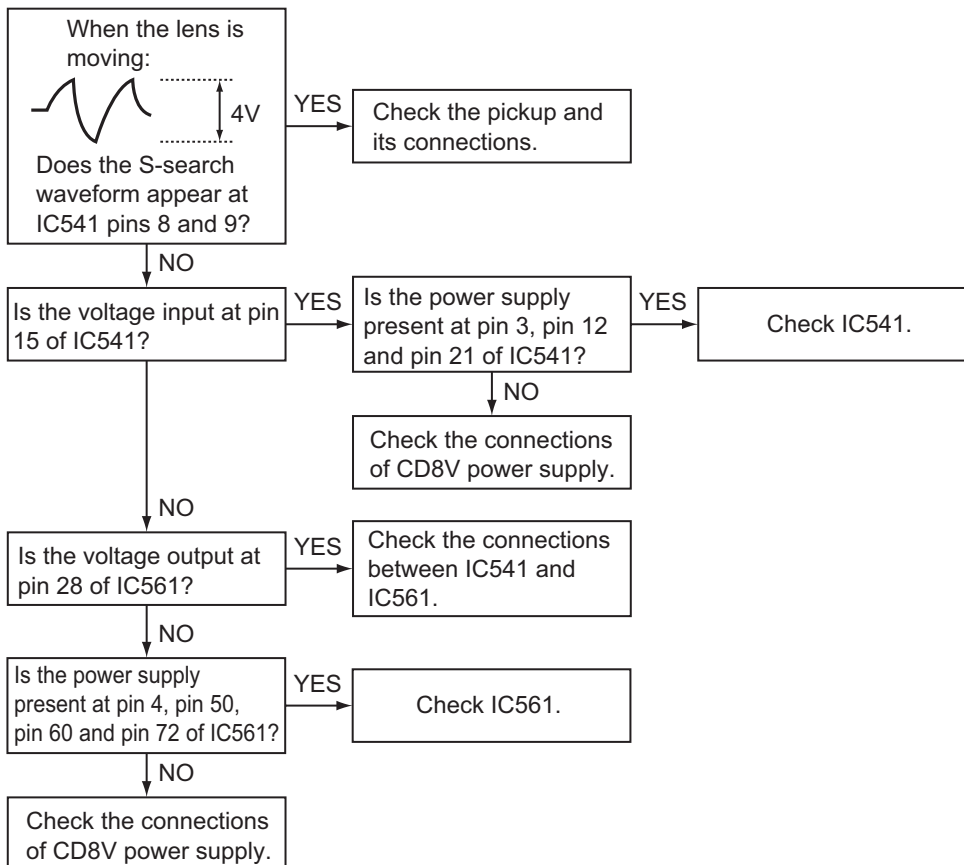
SECTION 5 TROUBLESHOOTING

5.1 Trouble shooting (For KD-G120, KD-G120R, KD-G123, KD-G124, KD-G125 and KD-G126)

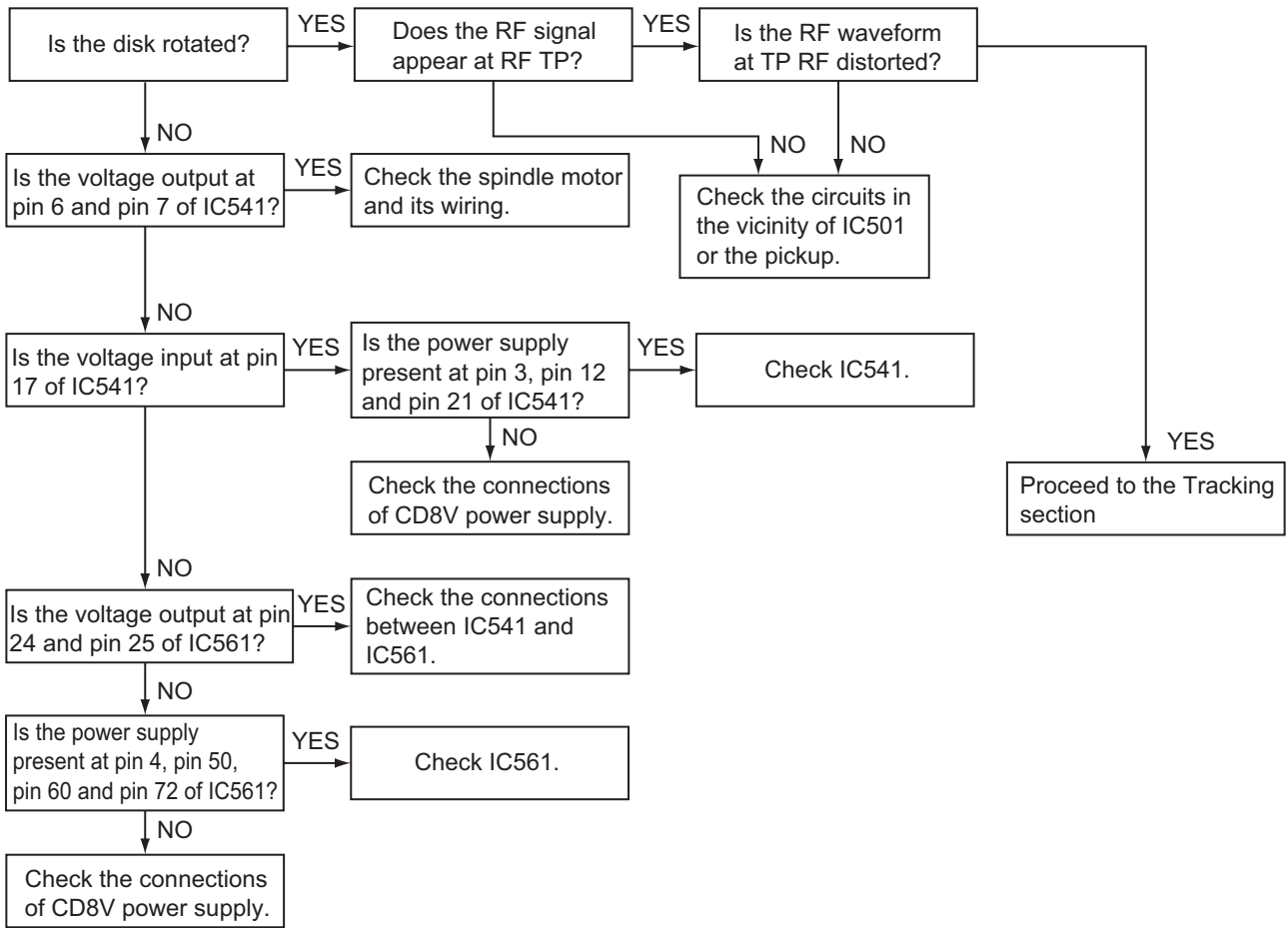
5.1.1 Feed section



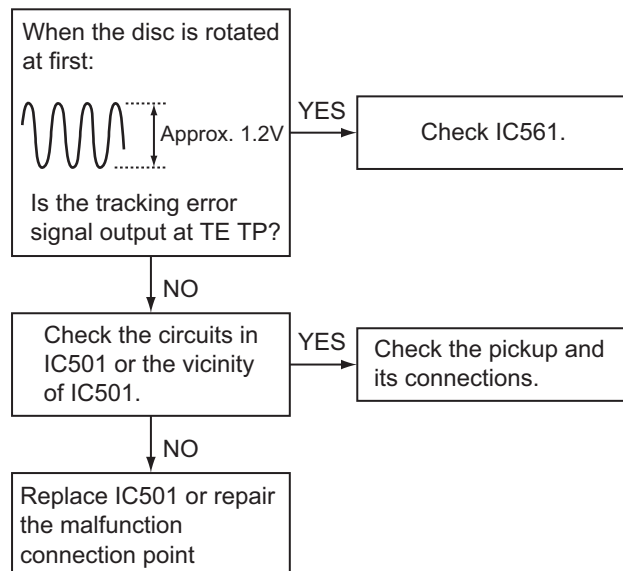
5.1.2 Focus section



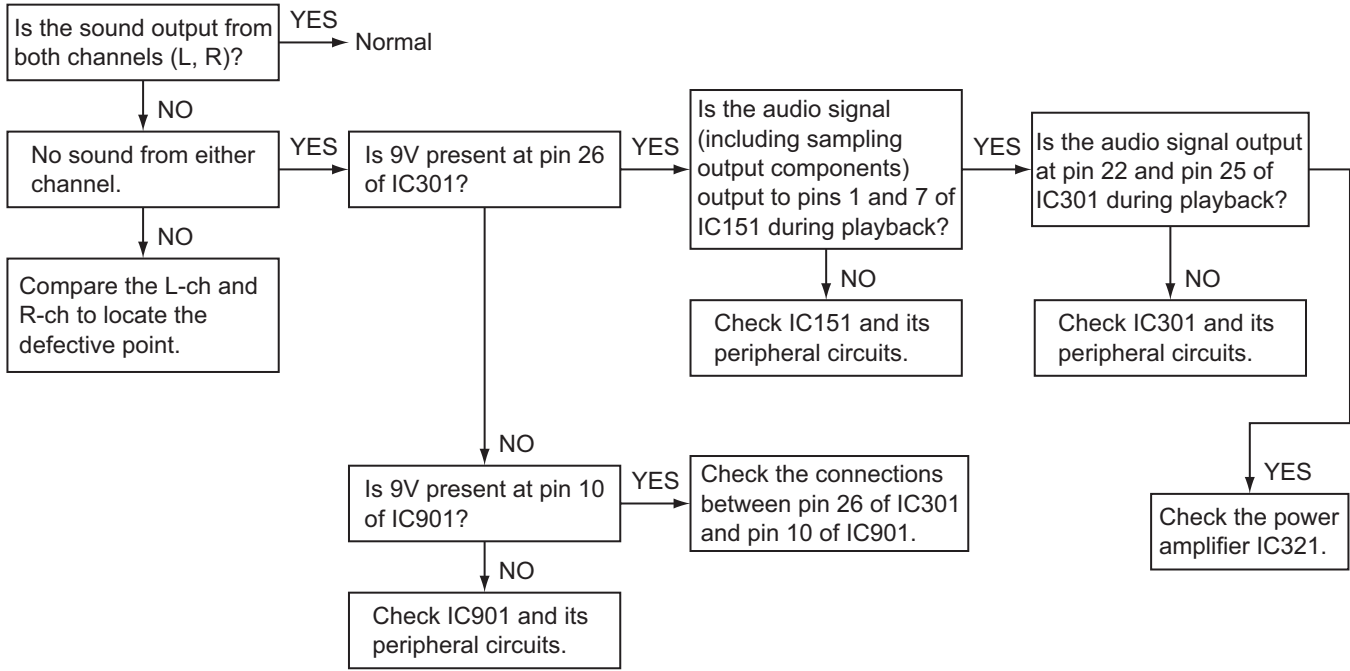
5.1.3 Spindle section



5.1.4 Tracking section

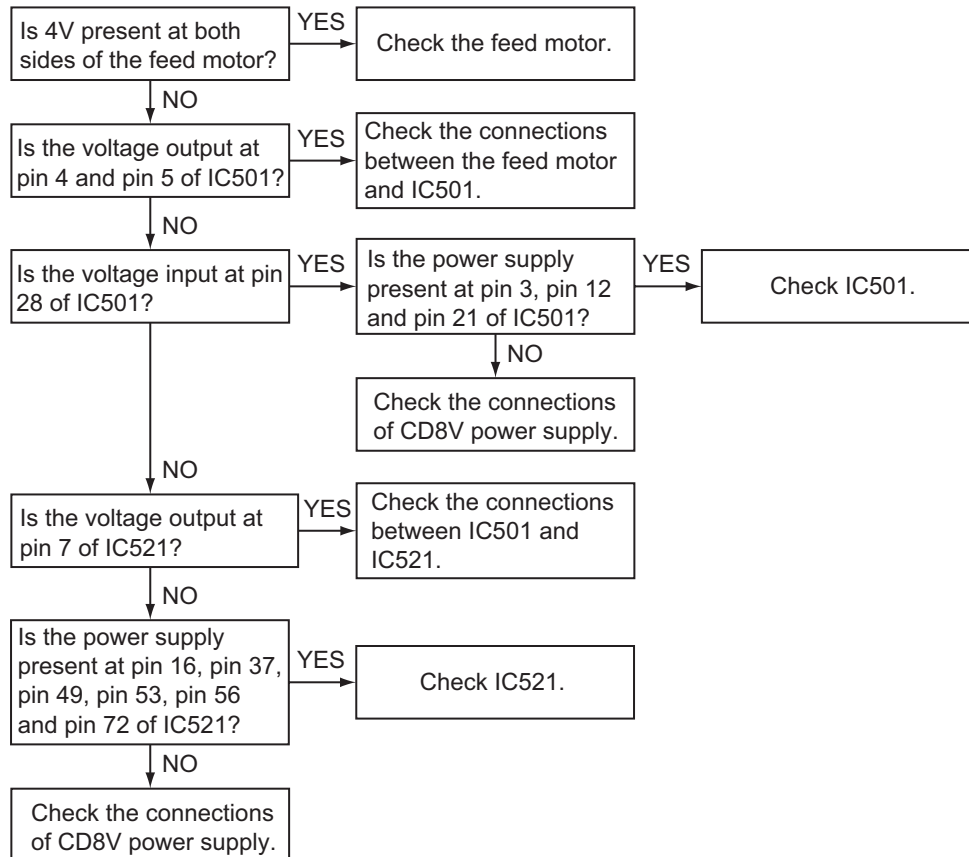


5.1.5 Signal processing section

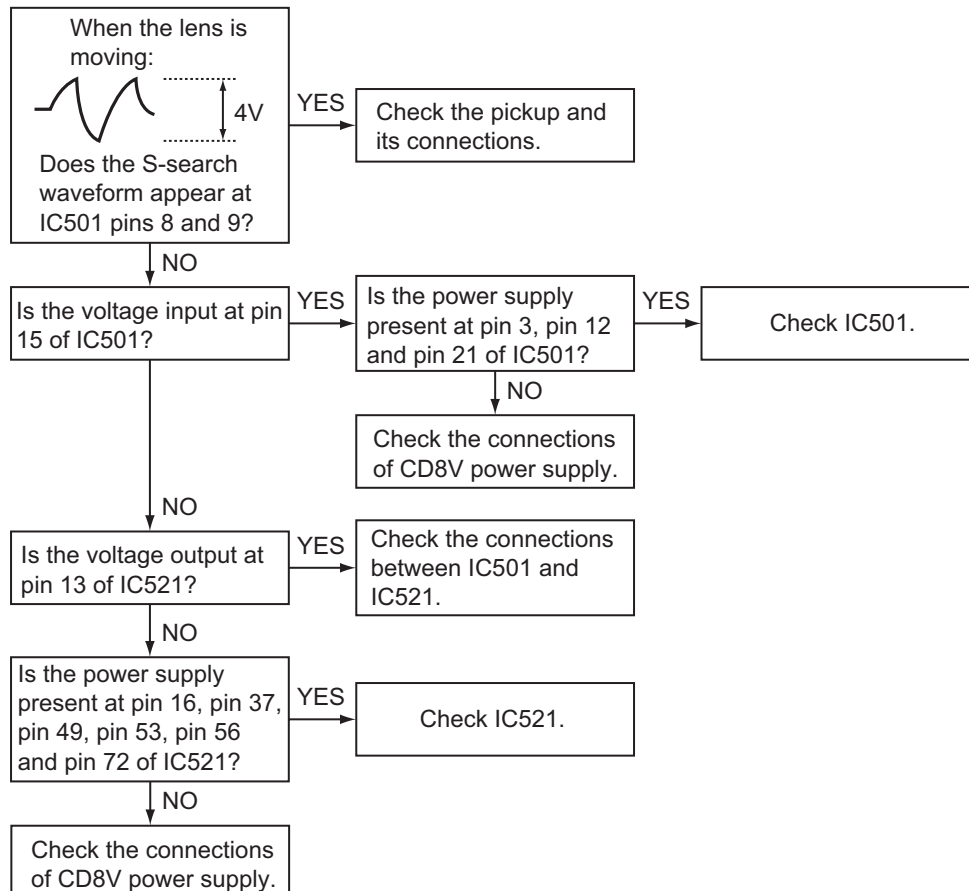


5.2 Trouble shooting (For KD-G161 and KD-G162)

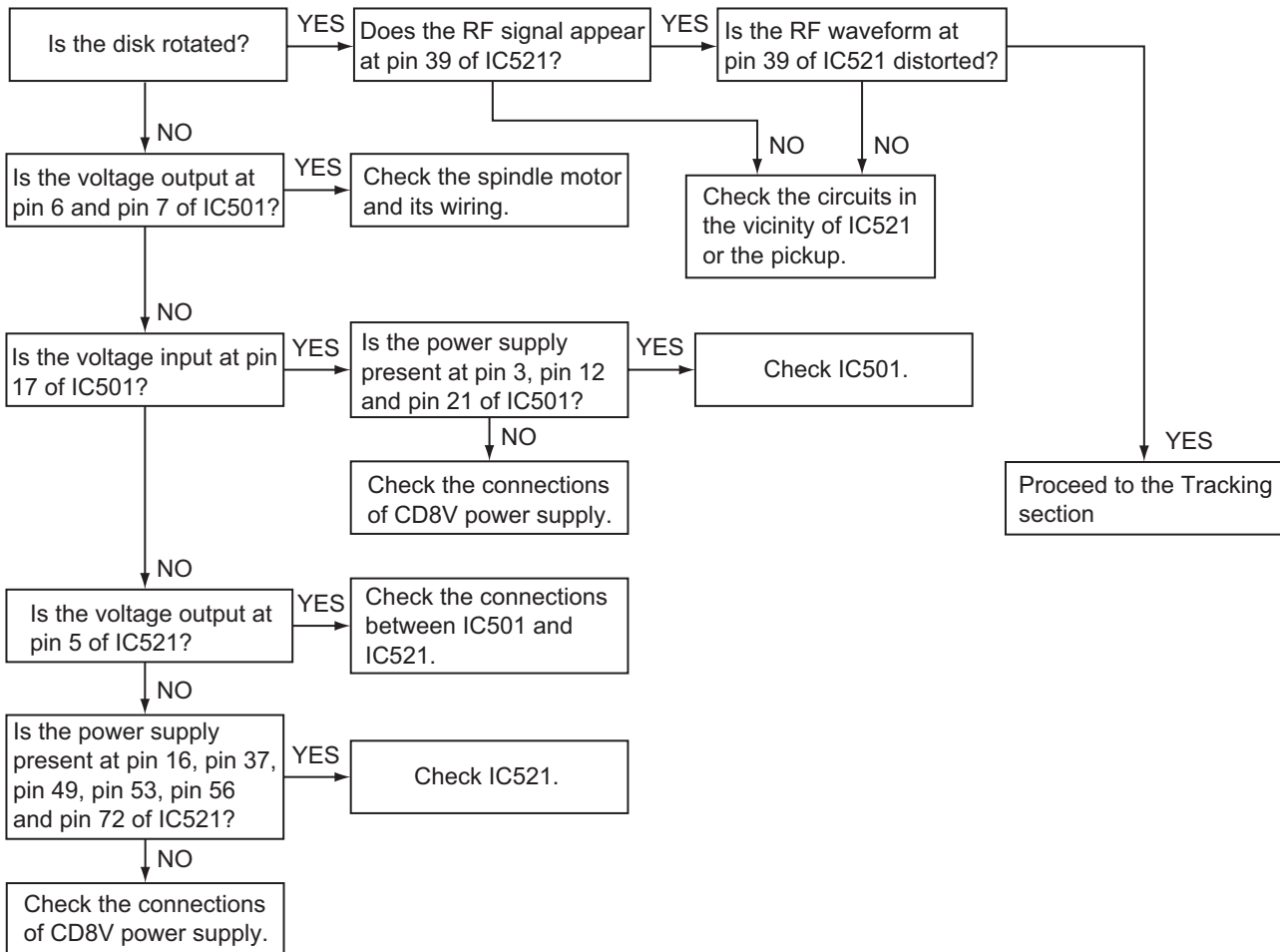
5.2.1 Feed section



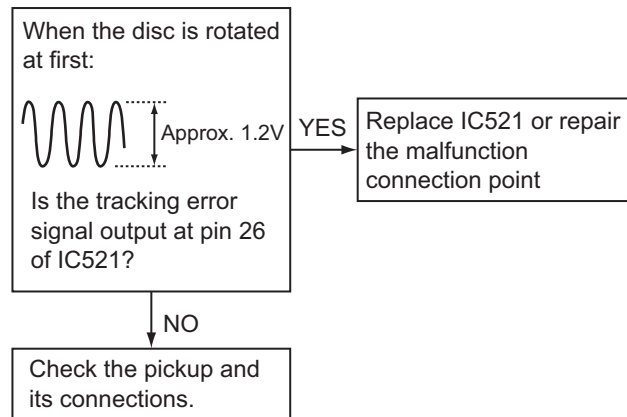
5.2.2 Focus section



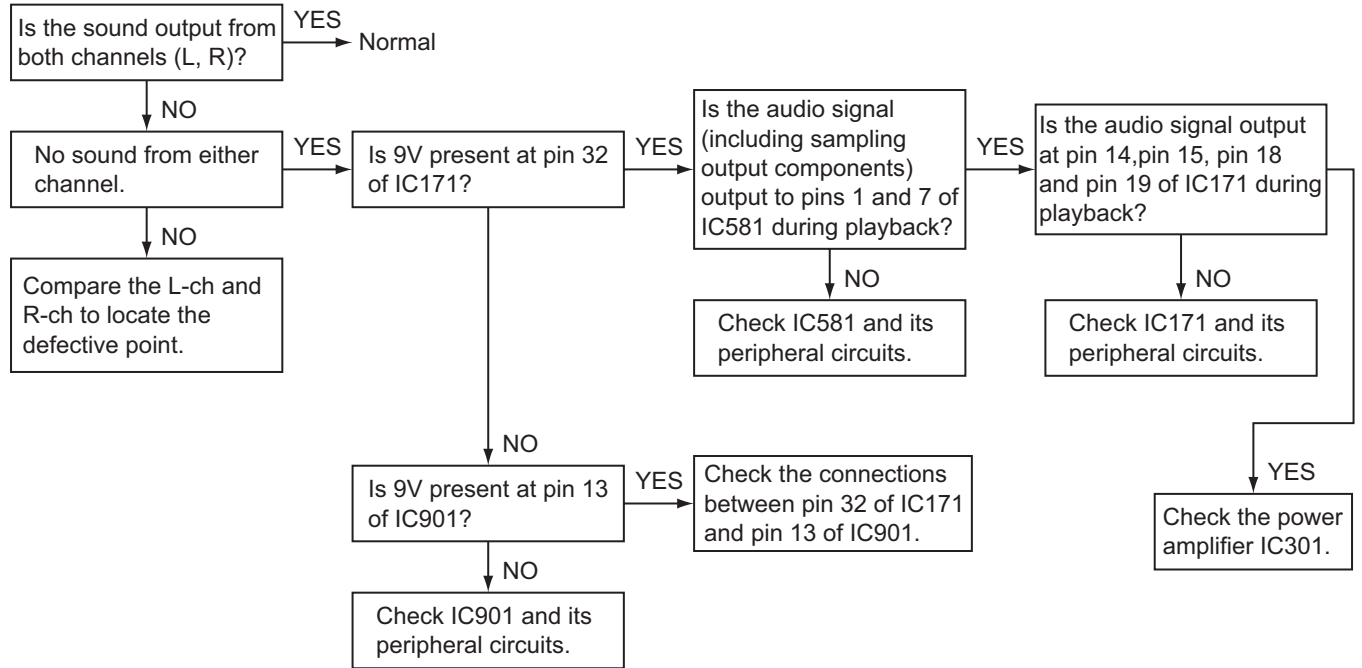
5.2.3 Spindle section



5.2.4 Tracking section



5.2.5 Signal processing section



5.3 Maintenance of laser pickup

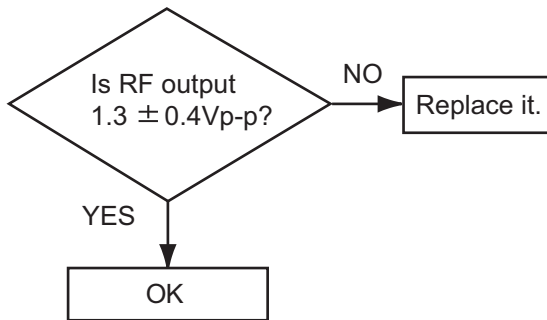
(1) Cleaning the pick up lens

Before you replace the pick up, please try to clean the lens with a alcohol soaked cotton swab.

(2) Life of the laser diode

When the life of the laser diode has expired, the following symptoms will appear.

- The level of RF output (EFM output: amplitude of eye pattern) will be low.

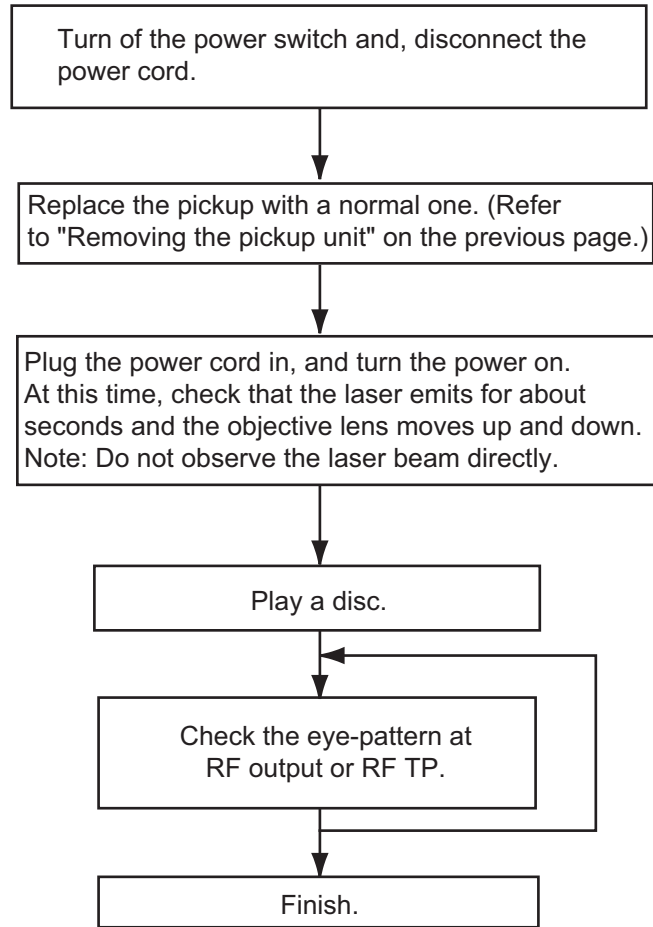


(3) Semi-fixed resistor on the APC PC board

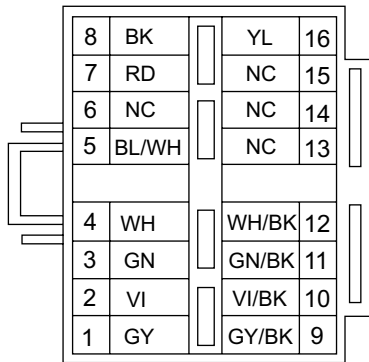
The semi-fixed resistor on the APC printed circuit board which is attached to the pickup is used to adjust the laser power. Since this adjustment should be performed to match the characteristics of the whole optical block, do not touch the semi-fixed resistor.

If the laser power is lower than the specified value, the laser diode is almost worn out, and the laser pickup should be replaced. If the semi-fixed resistor is adjusted while the pickup is functioning normally, the laser pickup may be damaged due to excessive current.

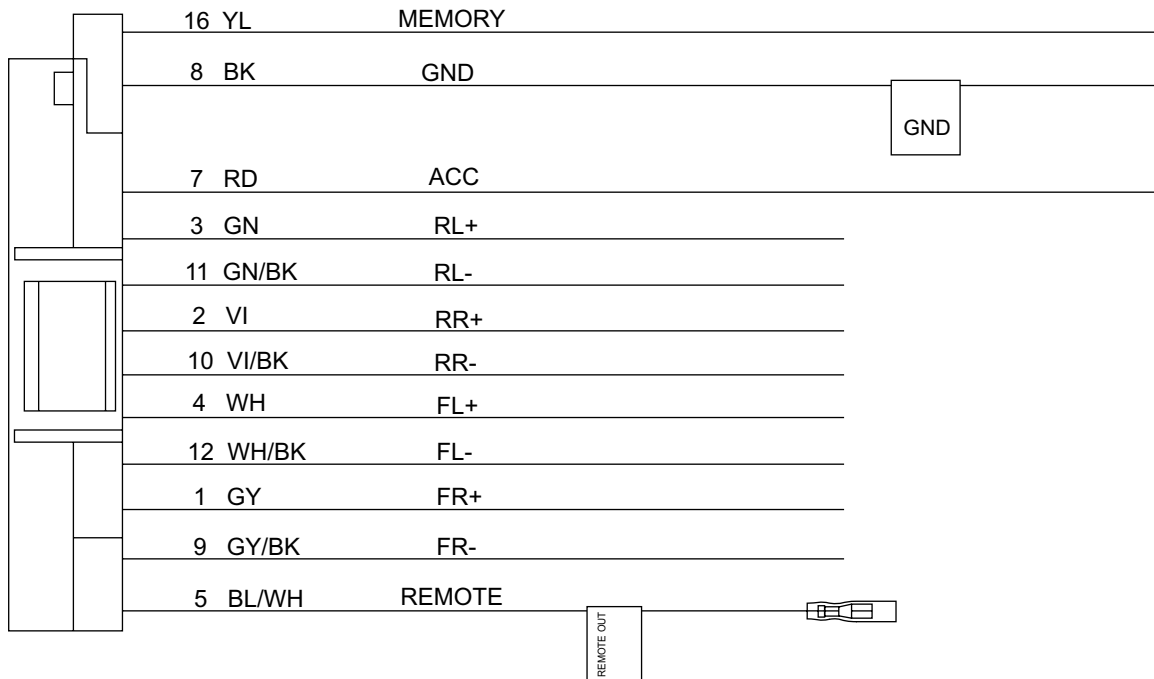
5.4 Replacement of laser pickup



5.5 16 PIN CORD DIAGRAM (For KD-G120 and KD-G120R)

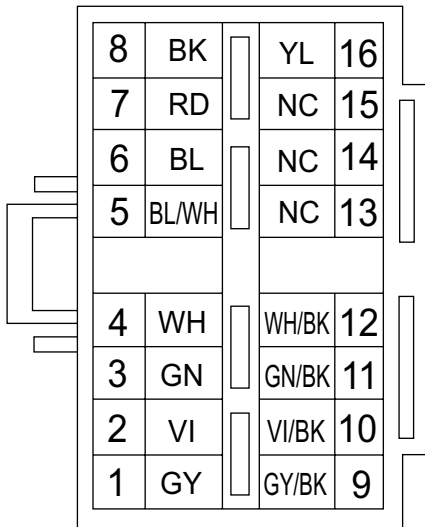


BK	Black	GN	Green
RD	Red	VI	Violet
BL	Blue	GY	Gray
WH	White	YL	Yellow

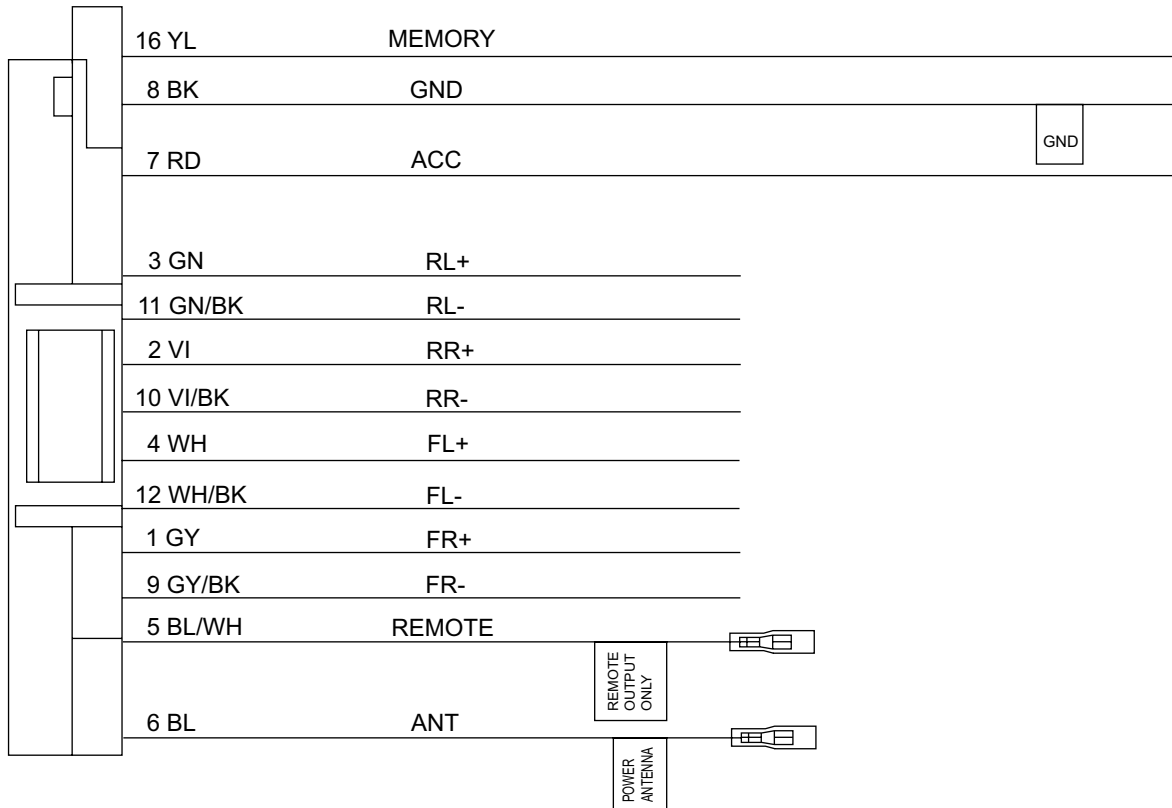


RR	Rear Right	REMOTE	Remote out
FR	Front Right	ACC	ACC Line
FL	Front Left	MEMORY	Memory Backup Battery+
RL	Rear Left	GND	Ground

5.6 16 PIN CORD DIAGRAM (For KD-G123, KD-G124, KD-G125 and KD-G126)

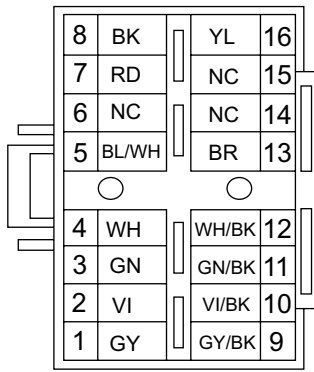


BK	Black	GN	Green
RD	Red	VI	Violet
BL	Blue	GY	Gray
WH	White	YL	Yellow

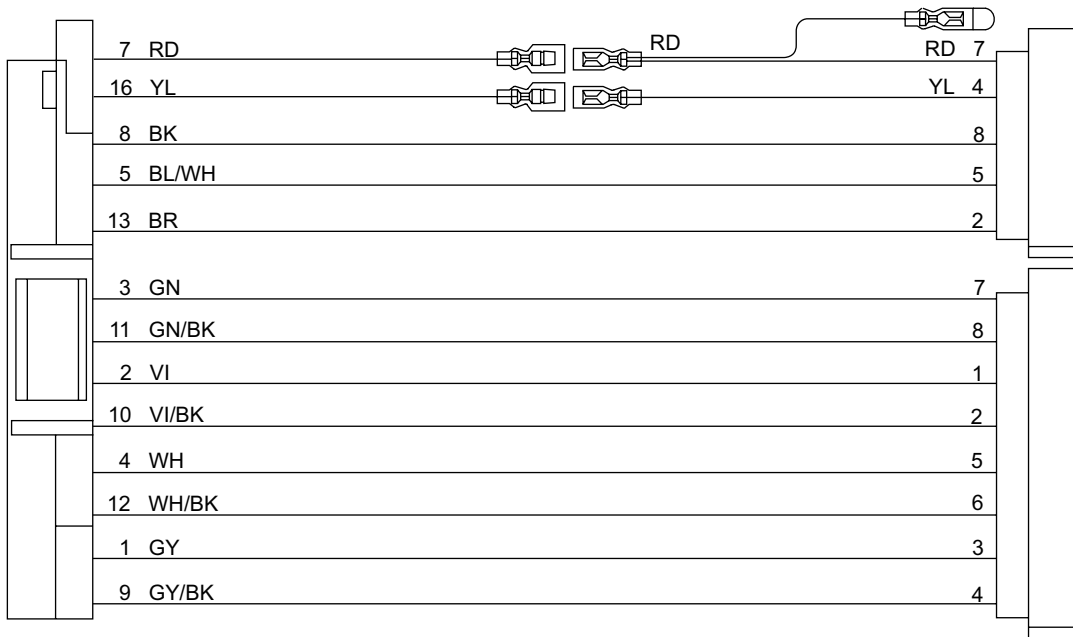
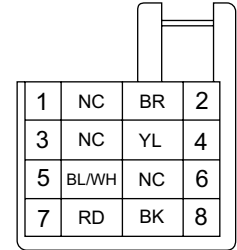


RR	Rear Right	ANT	Auto Antenna
FR	Front Right	ACC	ACC Line
FL	Front Left	GND	Ground
RL	Rear Left	MEMORY	Memory Backup Battery+
REMOTE	Remote		

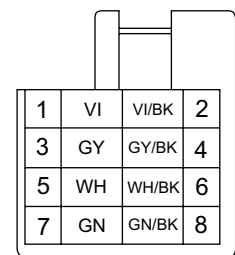
5.7 16 PIN CORD DIAGRAM (For KD-G161 and KD-G162)



BK	Black	GN	Green
RD	Red	VI	Violet
BL	Blue	GY	Gray
WH	White	YL	Yellow
BR	Brown		



RR	Rear Right	ACC	ACC Line
FR	Front Right	TEL	Telephone Muting
FL	Front Left	GND	Ground
RL	Rear Left	MEMORY	Memory Backup Battery+
REMOTE	Remote	ANT	Auto Antenna
ILL	Illuminations Control		





JVC

Victor Company of Japan, Limited
Mobile Entertainment Business Group Mobile Entertainment Category 10-1,1chome,Ohwatari-machi,Maebashi-city,371-8543,Japan

(No.MA233)

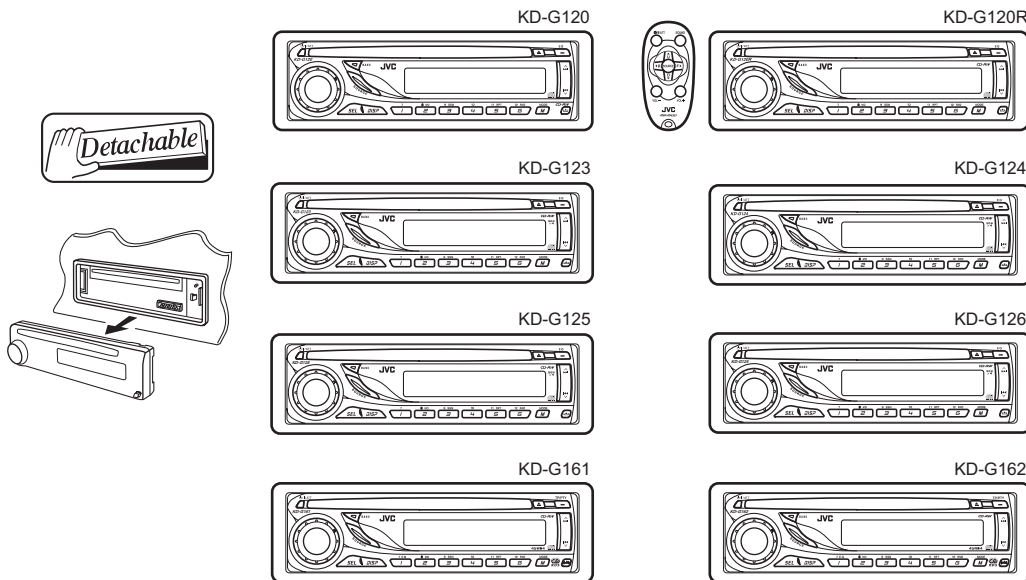
JVC

SCHEMATIC DIAGRAMS

CD RECEIVER

KD-G120, KD-G120R, KD-G123 KD-G124, KD-G125, KD-G126 KD-G161, KD-G162

CD-ROM No.SML200512



KD-G120, KD-G120R
Area suffix
J ----- Northern America
KD-G123, KD-G124
Area suffix
UI ----- India
KD-G125, KD-G126
Area suffix
UT ----- Taiwan
UH ----- Thailand
UN ----- Indonesia
U ----- Other Areas
KD-G161, KD-G162
Area suffix
E ----- Southern Europe
EX ----- Northern Europe
EY ----- Eastern Europe
EU ----- Turkey




Lead free solder used in the board (material : Sn-Ag-Cu, melting point : 219 Centigrade)

Contents

Block diagram (For KD-G120, KD-G120R, KD-G123, KD-G124, KD-G125 and KD-G126)	2-1
Standard schematic diagrams (For KD-G120, KD-G120R, KD-G123, KD-G124, KD-G125 and KD-G126) ..	2-3
Block diagram (For KD-G161 and KD-G162)	2-9
Standard schematic diagrams (For KD-G161 and KD-G162)	2-11
Printed circuit boards	2-17 to 19

Safety precaution

 **CAUTION** Burrs formed during molding may be left over on some parts of the chassis. Therefore, pay attention to such burrs in the case of performing repair of this system.

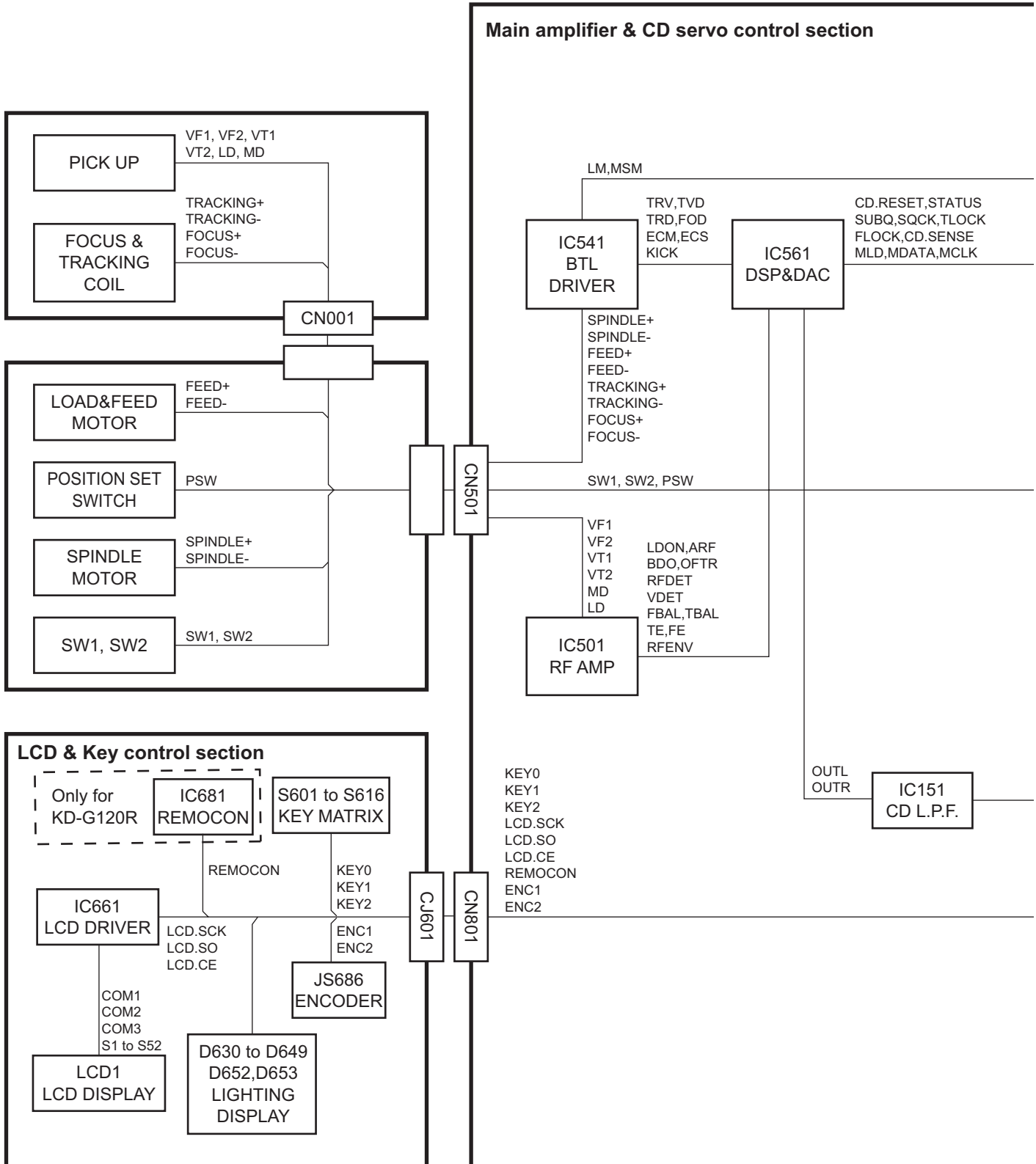
 **CAUTION** Please use enough caution not to see the beam directly or touch it in case of an adjustment or operation check.

Difference point

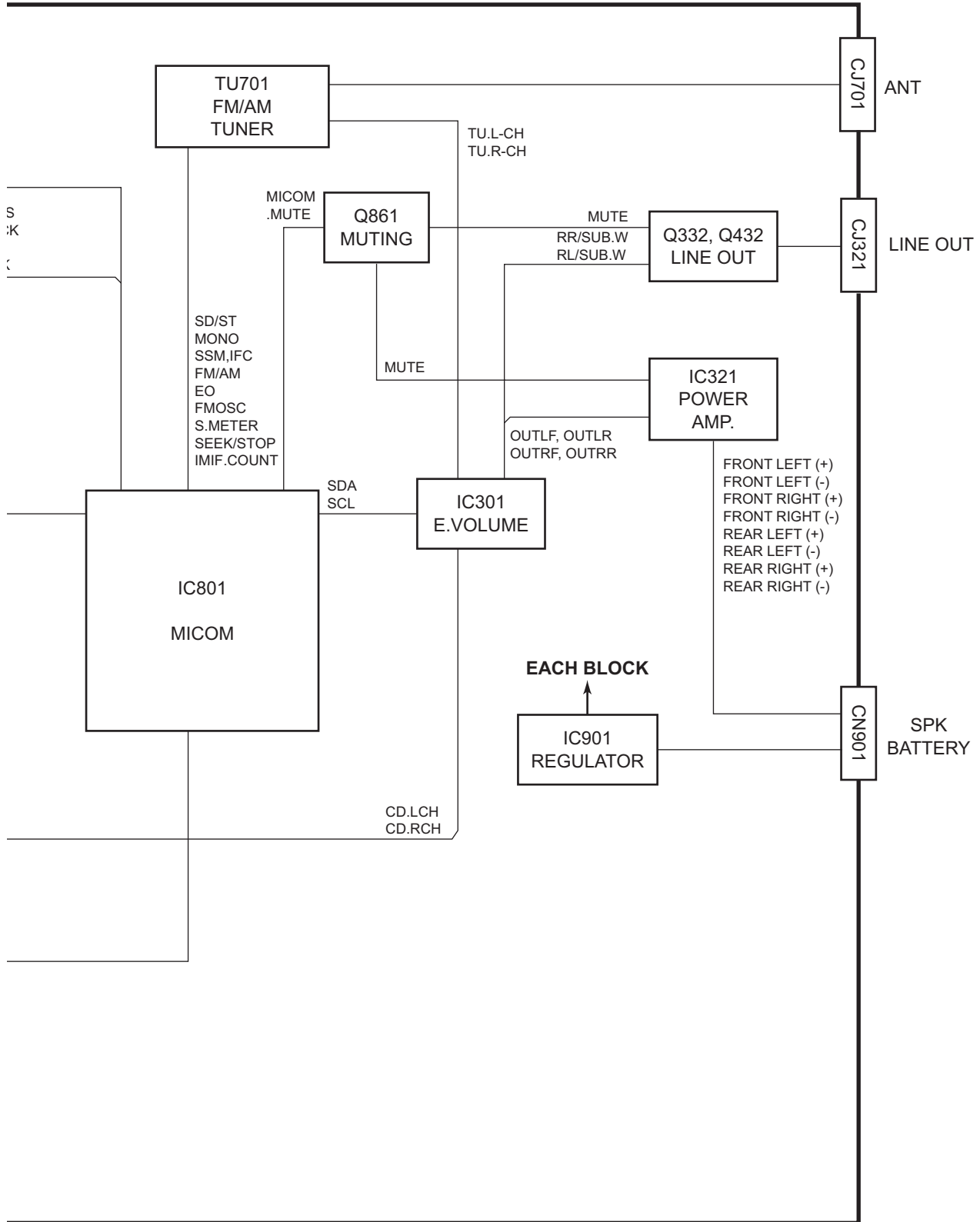
	KD-G120R	KD-G120,KD-G123,KD-G124,KD-G125,KD-G126	KD-G161,KD-G162
Remote controller	YES	NO	NO
Telephone Muting	NO	NO	YES

< MEMO >

Block diagram (For KD-G120,KD-G120R,KD-G123,KD-G124,KD-G125 and KD-G126)

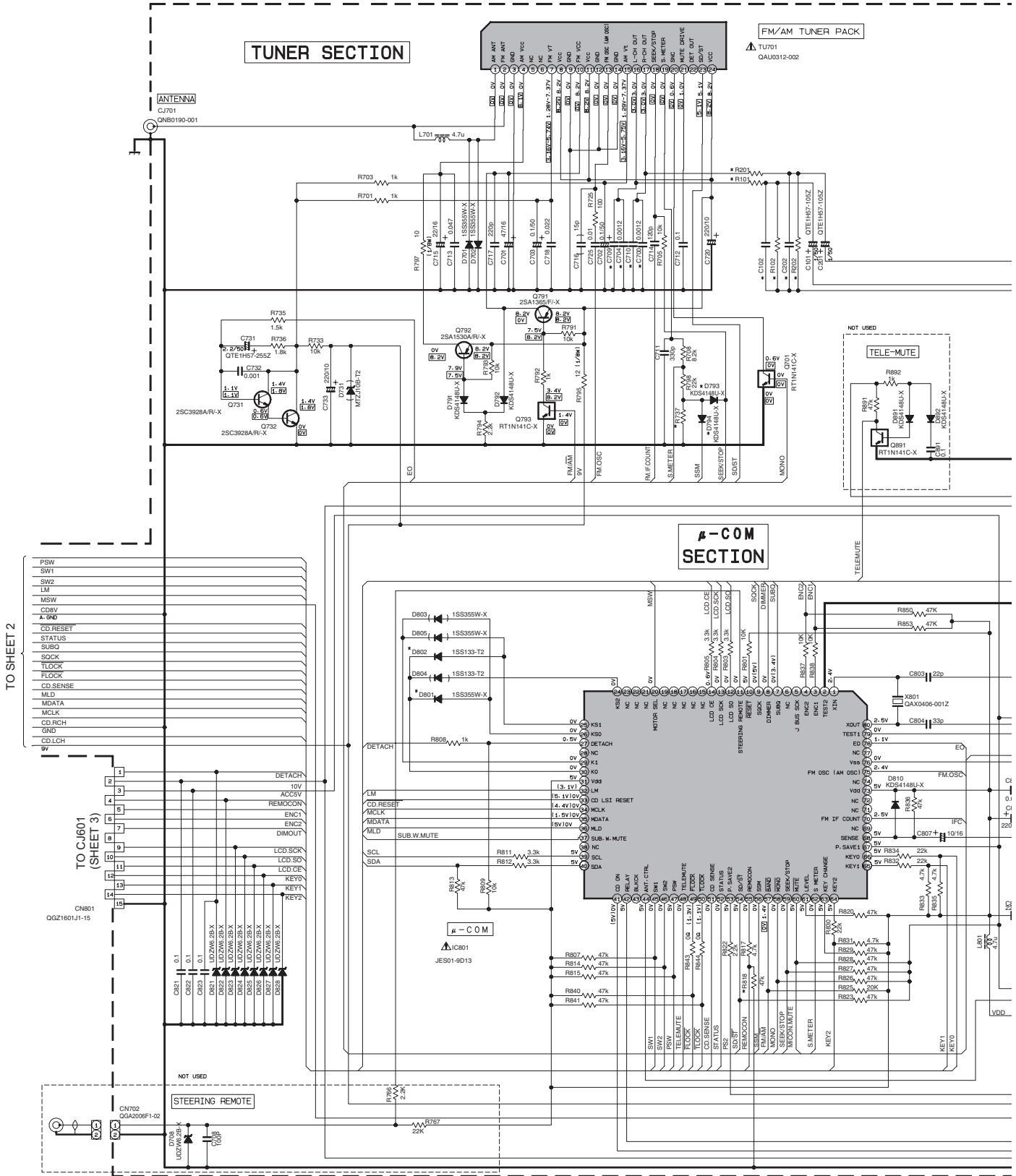


26)

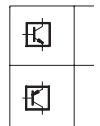


Standard schematic diagrams (For KD-G120, KD-G120R, KD-G123, KD-G124,

■ Main amplifier section

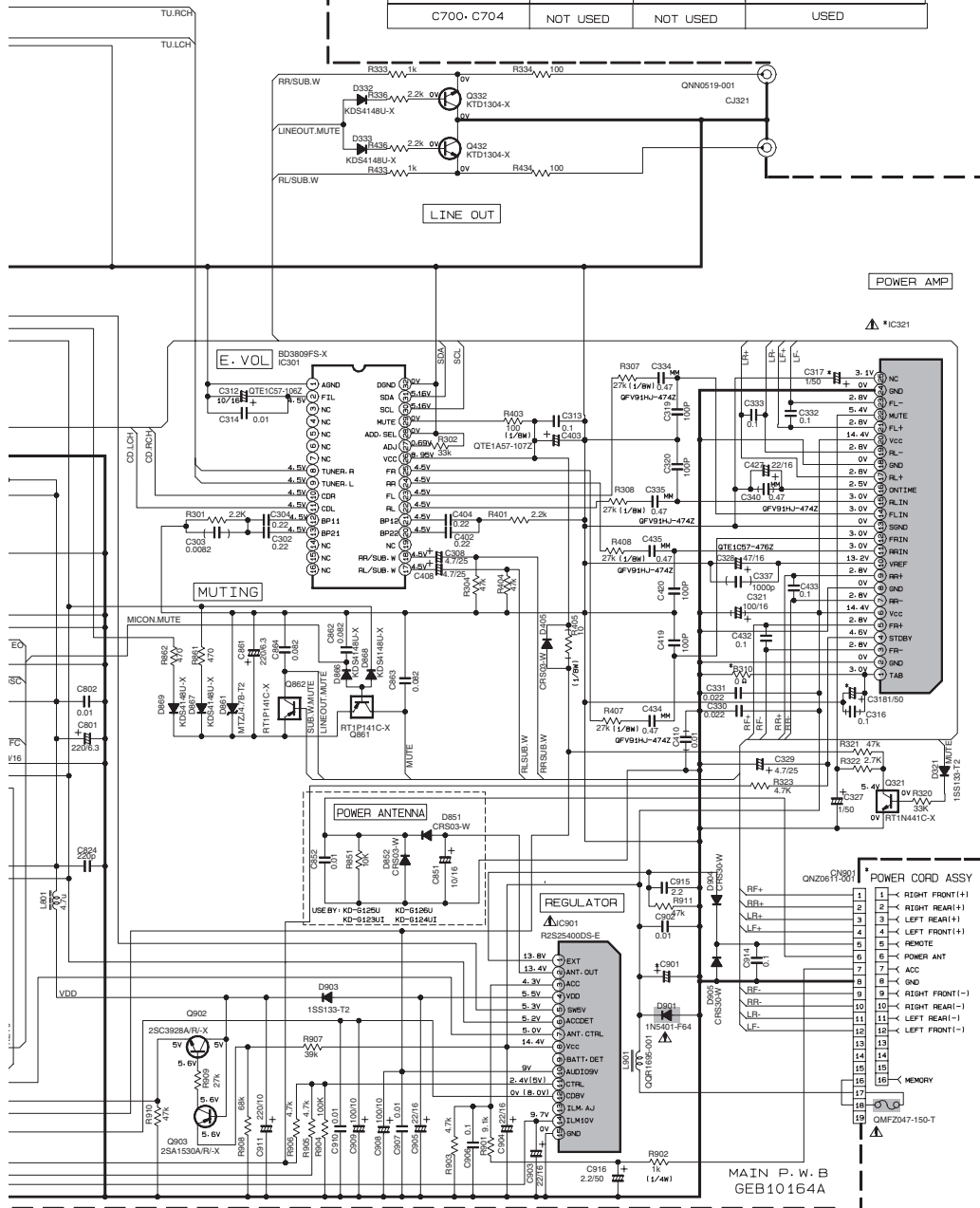


- NOTES:
- VOLTAGE ARE DC-MEASURED WITH A DIGITAL VOLTMETER WITHOUT INPUT SIGNAL CONDITION
 —FM () (BY MODE 1) (CD MODE)
 - UNLESS OTHERWISE SPECIFIED
 ALL RESISTOR ARE 1/4W ±5% METAL GLAZE RESISTOR.
 ALL CAPACITOR ARE 50V OR 25V CERAMIC CAPACITOR.
 ALL RESISTANCE VALUES ARE IN OHM
 ALL CAPACITANCE VALUES ARE IN μF (p=PF).
 ALL E. CAPACITORS ARE SHOWN IN THE FORM OF CAPACITANCE(μF/RATED VOLTAGE(V))



3124, KD-G125 and KD-G126)

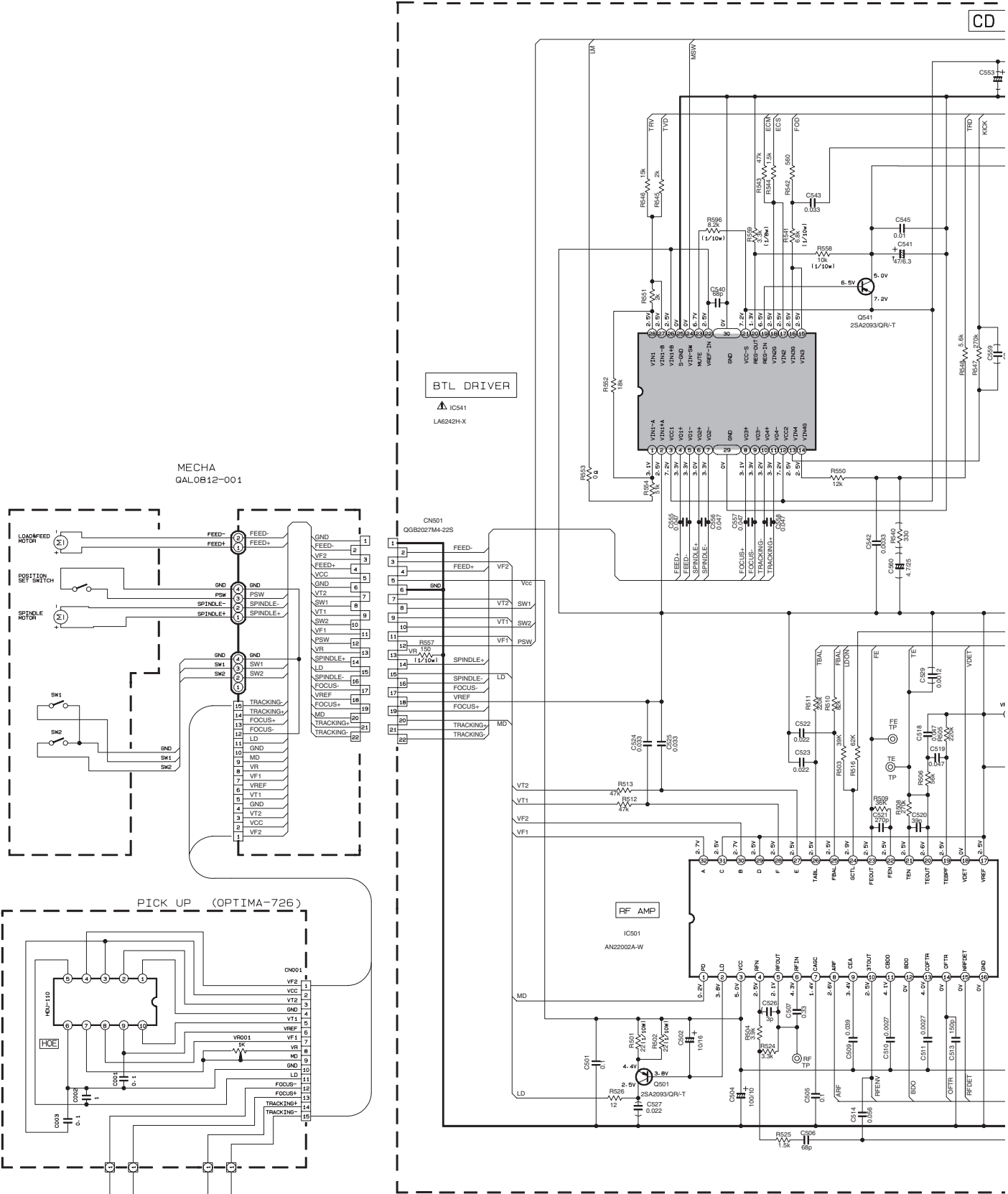
MODEL	KD-G120J	KD-G120RJ	KD-G125U KD-G123UI	KD-G126U KD-G124UI
DB01	USED	USED	NOT USED	
DB02	NOT USED	NOT USED	USED	
C709, C710	0.015	0.015	0.012	
R101, R201	12k	12k	7.5k	
R102, R202	8.2k	8.2k	15k	
C102, C202	0.0039	0.0039	0.0022	
R737	0Ω	0Ω	100k	
D793, D794	NOT USED	NOT USED	USED	
R818	USED	NOT USED	USED	
POWER CORD ASSY	QAM0013-008	QAM0013-008	QAM0390-004	
IC321	LA4743K	LA4743K	LA47516	
C901	QE20645-228 2200UF/16V	QE20645-228 2200UF/16V	QE20769-278 2700UF/16V	
B310	USED	USED	NOT USED	
C317, C318	NOT USED	NOT USED	USED	
C700, C704	NOT USED	NOT USED	USED	



		R
	RT1N141C-X	10K
	RT1N441C-X	47K
	RT1P141C-X	10K

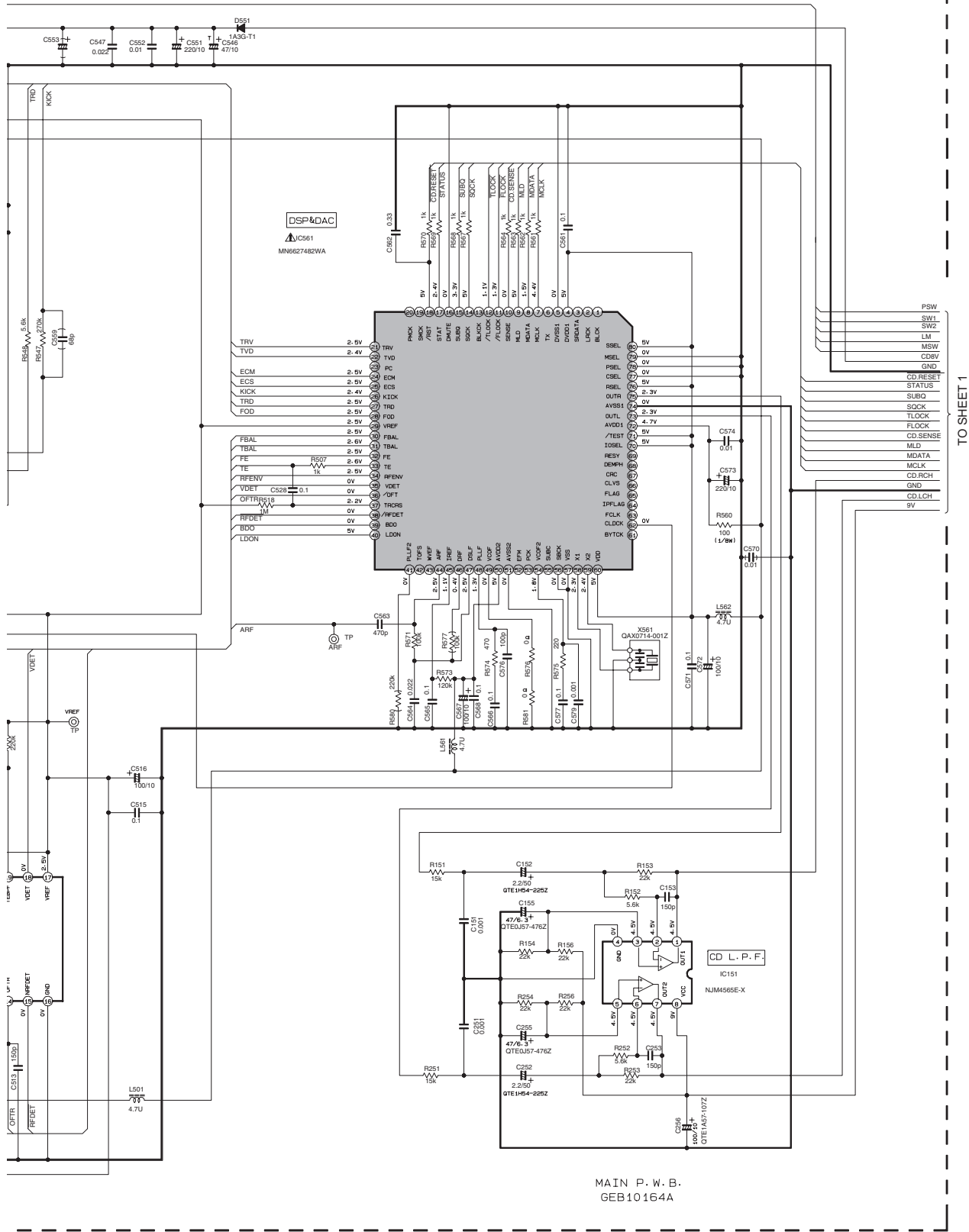
⚠ Parts are safety assurance parts.
When replacing those parts make
sure to use the specified one.

CD servo control section



NOTE 1: VOLTAGE ARE DC-MEASURED WITH DIGITAL VOLTMETER WITHOUT INPUT SIGNAL CONDITION
 — CD MODE
 2: UNLESS OTHERWISE SPECIFIED.
 ALL RESISTORS ARE 1/16W±5% METAL GLAZE RESISTOR.
 ALL CAPACITORS ARE 50V OR 25V CERAMIC CAPACITOR.
 ALL RESISTANCE VALUES ARE IN OHM.
 ALL CAPACITANCE VALUES ARE IN UF(μF).
 ALL E. CAPACITORS ARE SHOWN IN THE FORM OF CAPACITANCE(UF)/RATED VOLTAGE(V)

CD SECTION

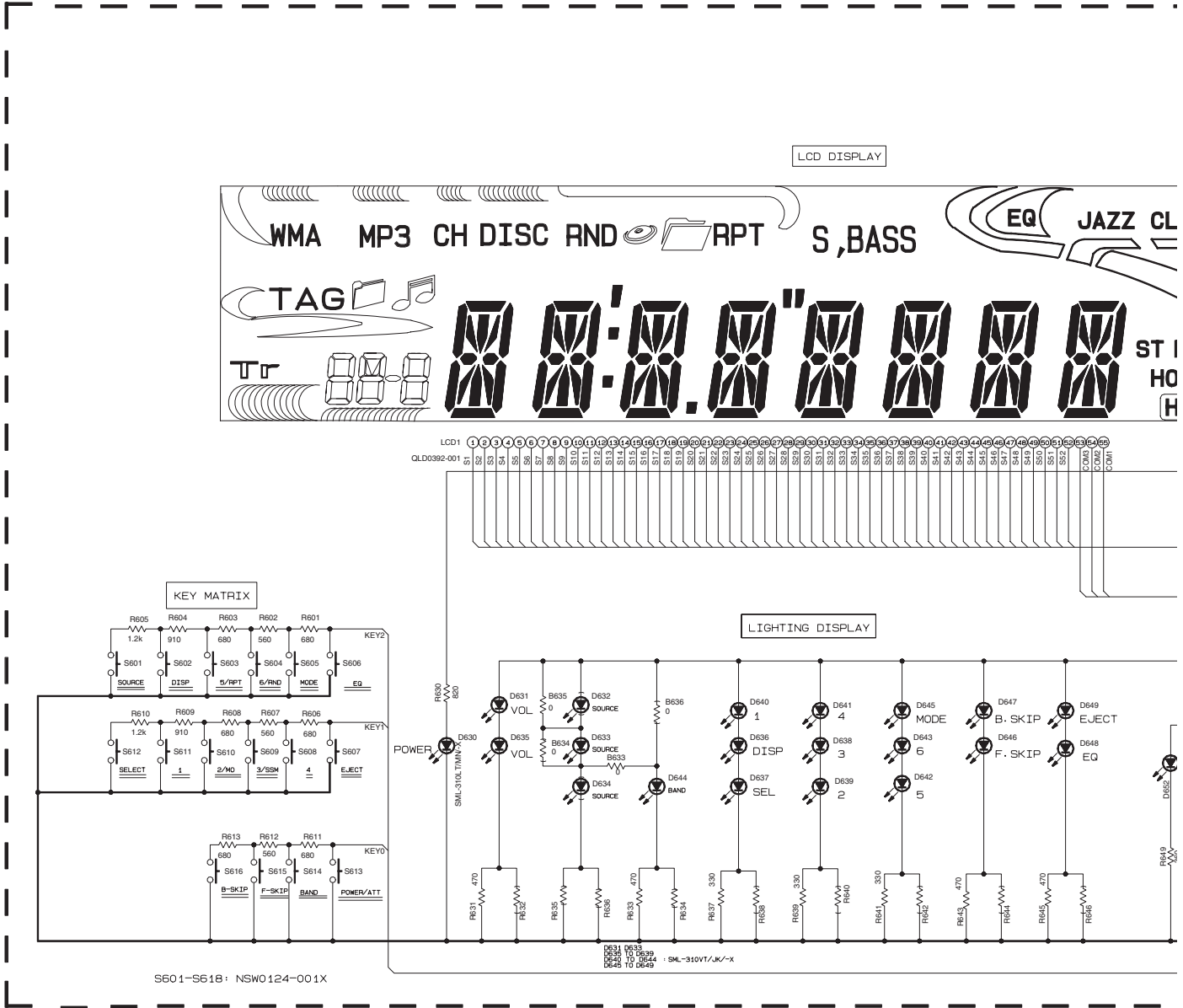


MAIN P. W. B.
GEB10164A

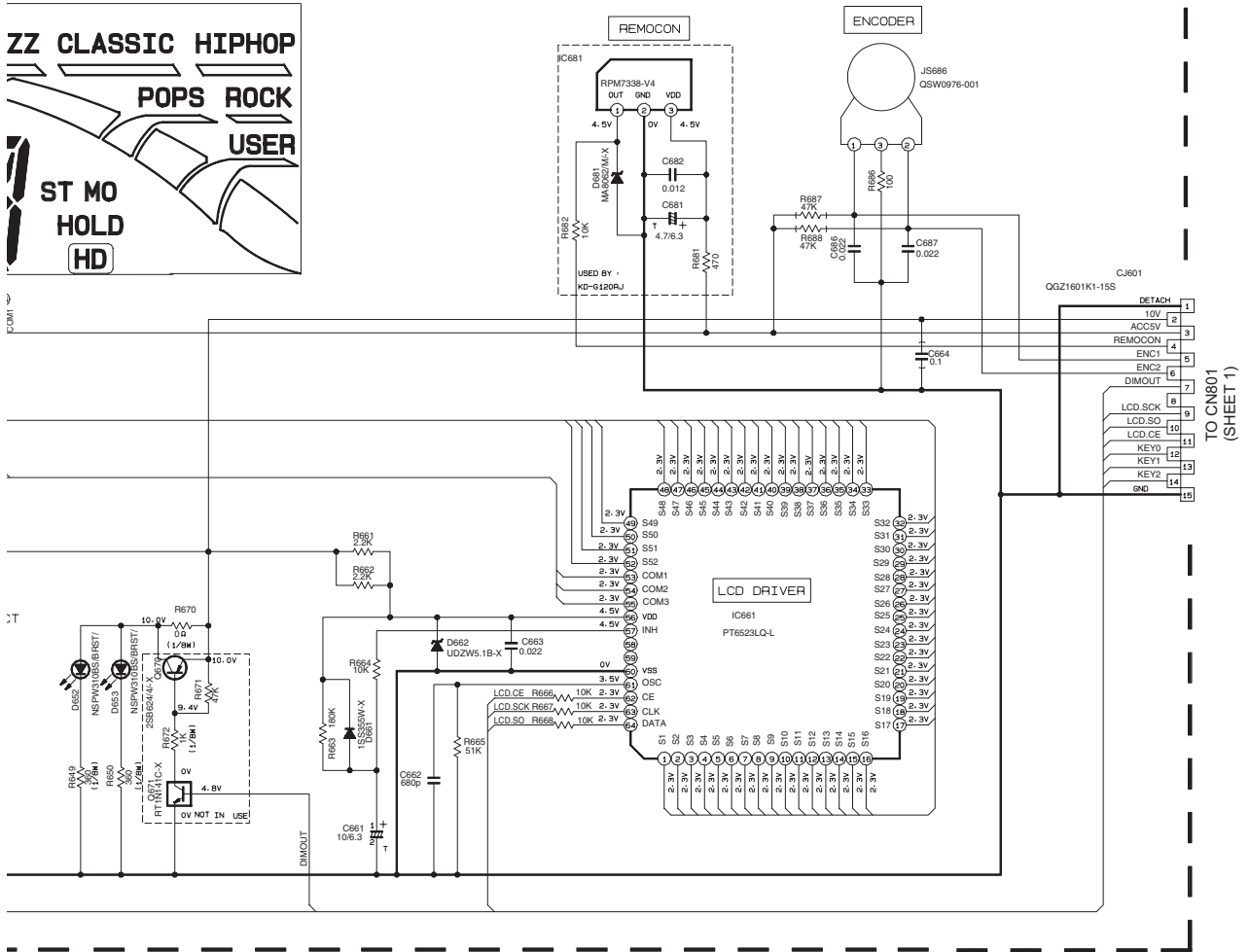
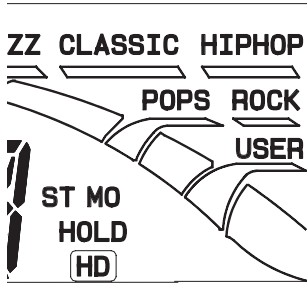
⚠ Parts are safety assurance parts.
When replacing those parts make
sure to use the specified one.

RATED VOLTAGE(V)

■ LCD & Key control section



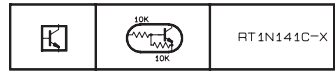
SW PWB : GEB10174A



CJ601
QGZ1601K1-15S

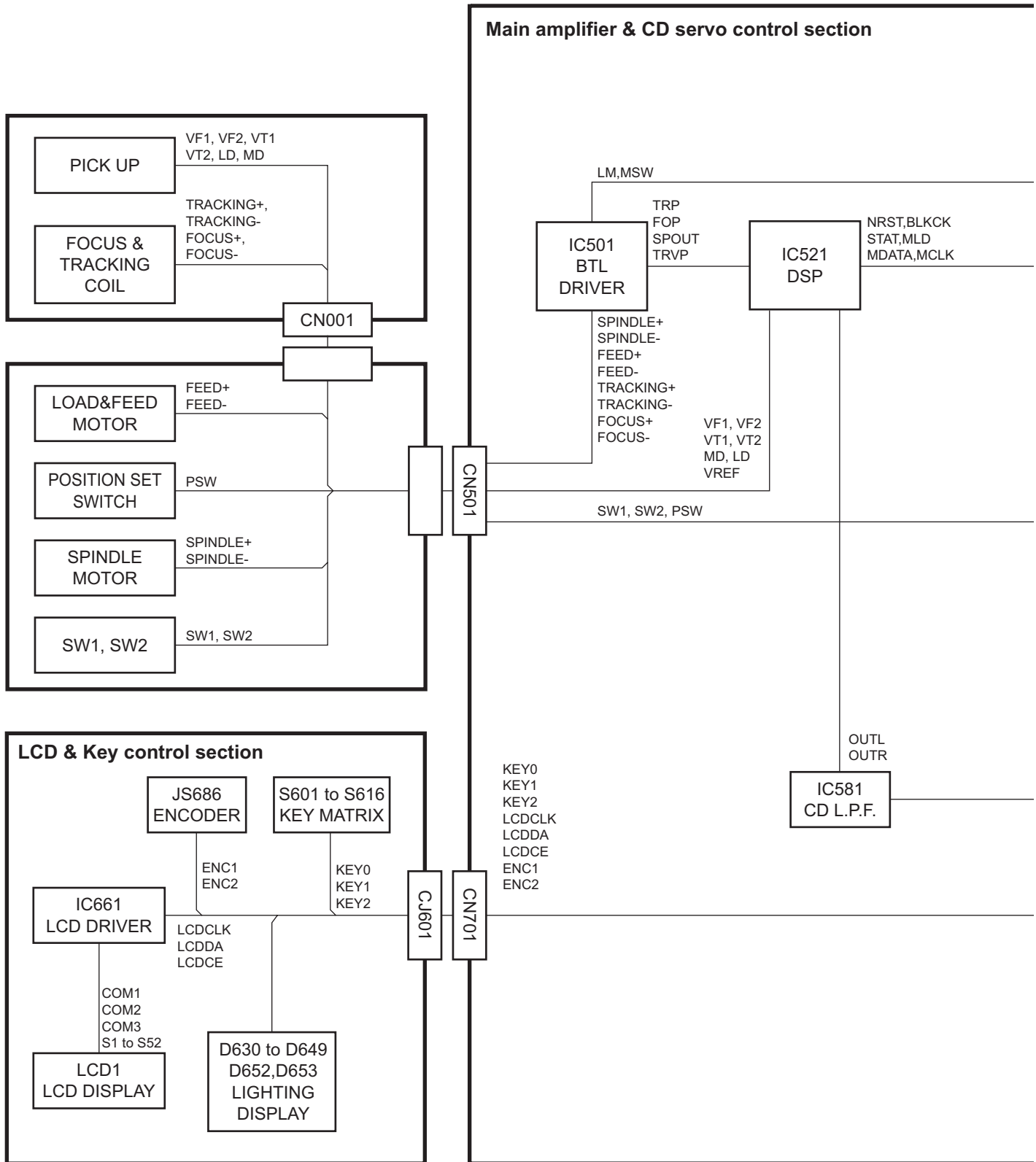
DETACH	1
10V	2
ADCSV	3
REMOCON	4
ENC1	5
ENC2	6
DIMOUT	7
	8
LCD_SCK	9
LCD_S0	10
LCD_CE	11
KEY0	12
KEY1	13
KEY2	14
GND	15

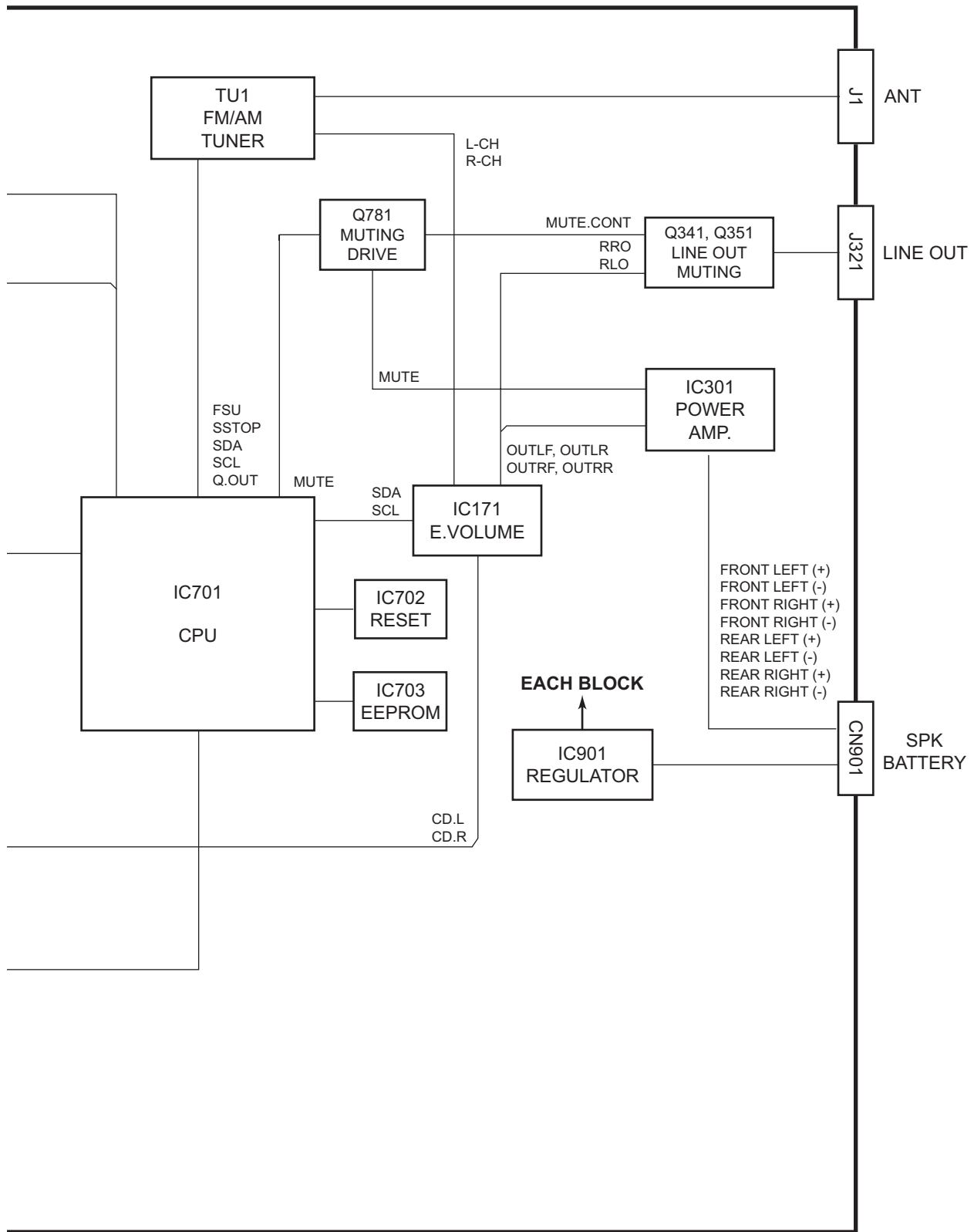
TO CN801 (SHEET 1)



- NOTES
- VOLTAGES ARE DC-MEASURED WITH A DIGITAL VOLT METER WITHOUT INPUT SIGNAL.
 - UNLESS OTHERWISE SPECIFIED.
ALL RESISTORS ARE 1/16W ±5% METAL GLAZE RESISTOR.
ALL CAPACITORS ARE 50V OR 25V CERAMIC CAPACITOR.
ALL RESISTANCE VALUES ARE IN OHM.
ALL CAPACITANCE VALUES ARE IN UF(P=PF)
ALL E. CAPACITORS ARE SHOWN IN THE FORM OF CAPACITANCE(UF)/RATED VOLTAGE(V)
T --- TANTALUM CAPACITOR.
 - COMPONENTS IN () INDICATE NOT USE.

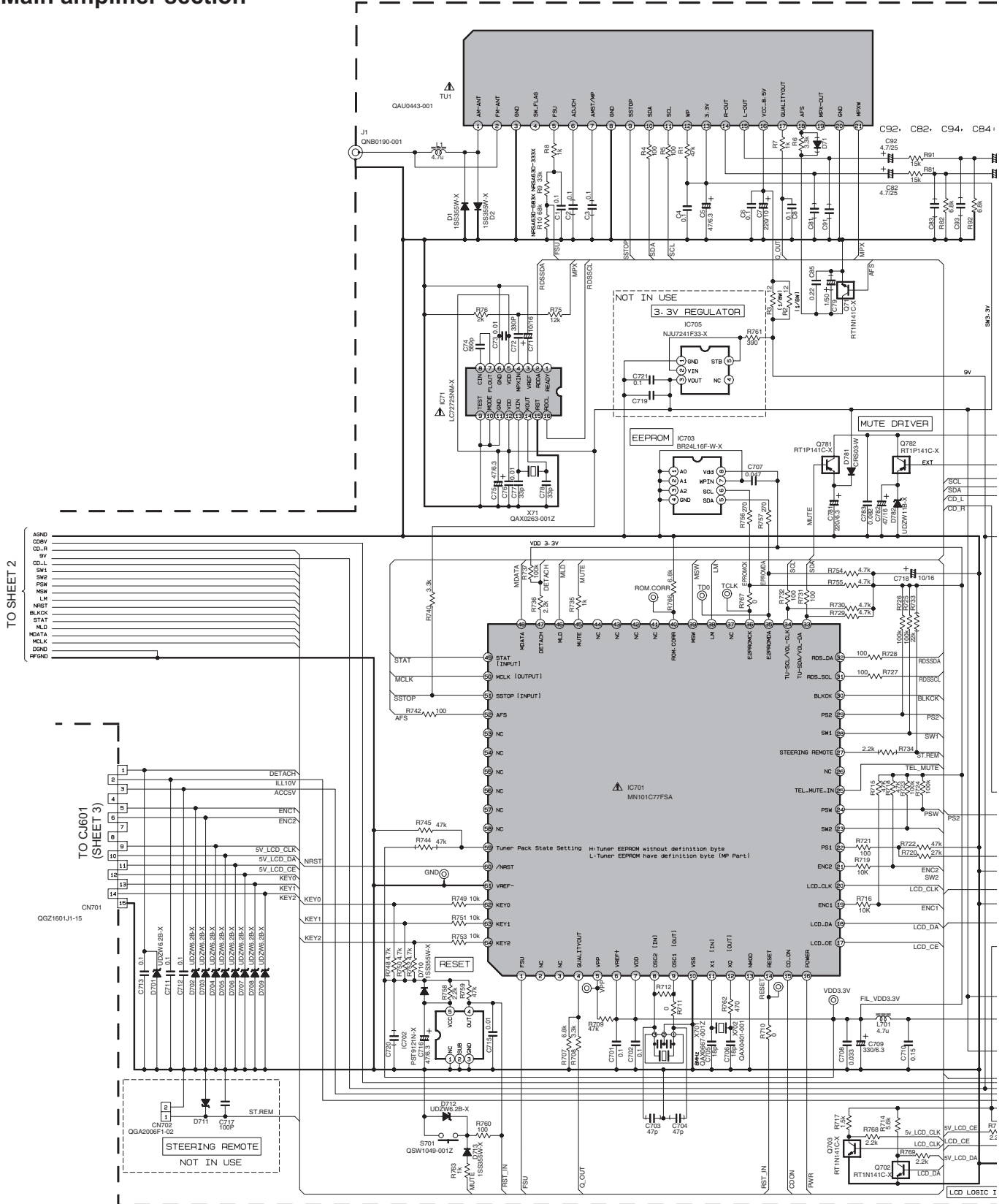
Block diagram (For KD-G161 and KD-G162)





Standard schematic diagrams (For KD-G161 and KD-G162)

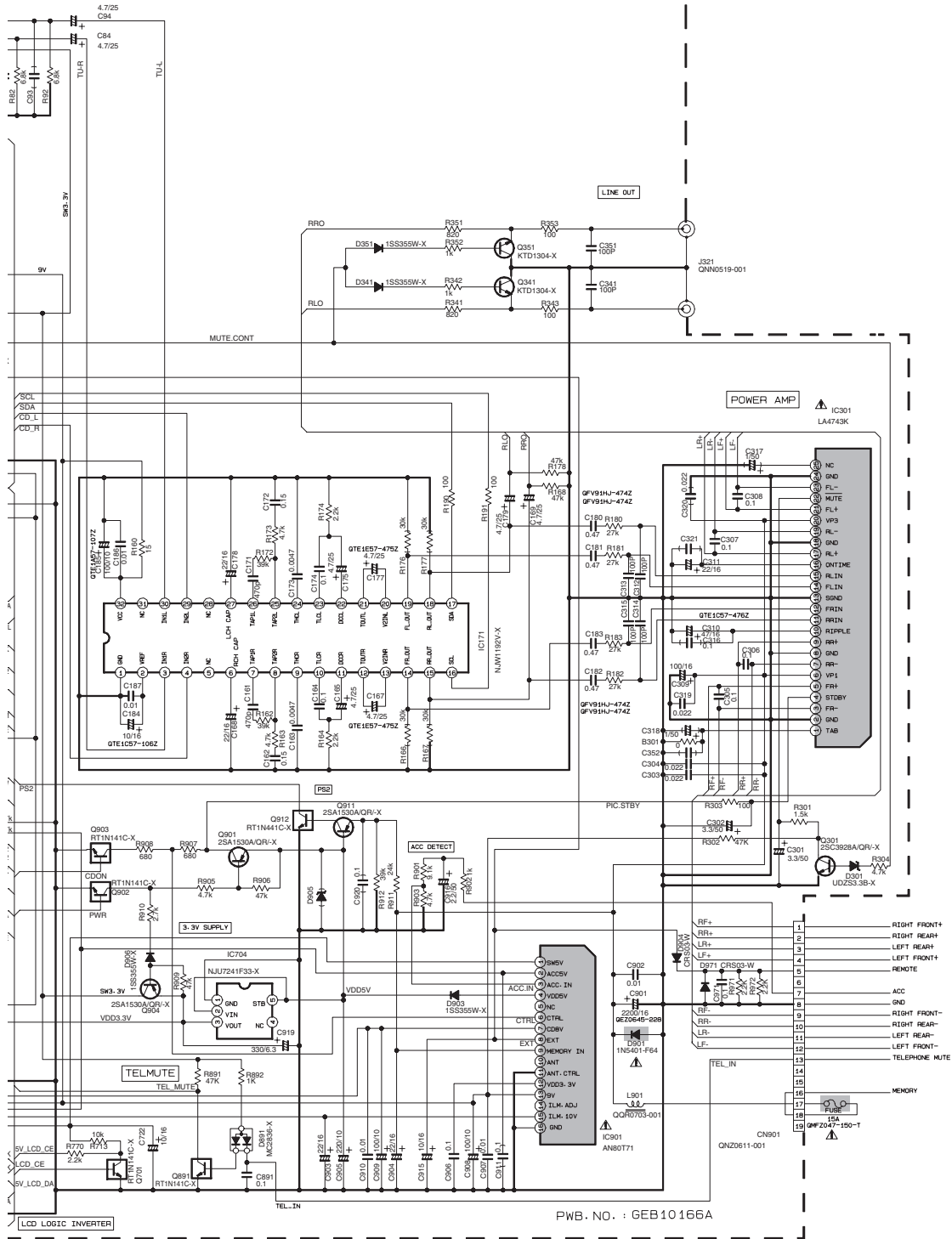
■ Main amplifier section



- NOTES:
- VOLTAGE ARE DC-MEASURED WITH A DIGITAL VOLTMETER WITHOUT INPUT SIGNAL CONDITION.
 —FM() M MODE. () CD MODE!
 - UNLESS OTHERWISE SPECIFIED.
 ALL RESISTOR ARE 1/8W ±5%METAL GLAZE RESISTOR.
 ALL CAPACITOR ARE 50V OR 25V CERAMIC CAPACITOR.
 ALL RESISTANCE VALUES ARE IN OHM
 ALL CAPACITANCE VALUES ARE IN μF(PPF).
 ALL INDUCTANCE VALUES ARE IN μH
 ALL E. CAPACITORS ARE SHOWN IN THE FORM OF CAPACITANCE(μF/RATED VOLTAGE)V

	47k	RT1N441C-X
	47k	RT1N414C-X
	10k	RT1P141C-X
	10k	RT1P141C-X

C94, C84: QTE1E57-475Z

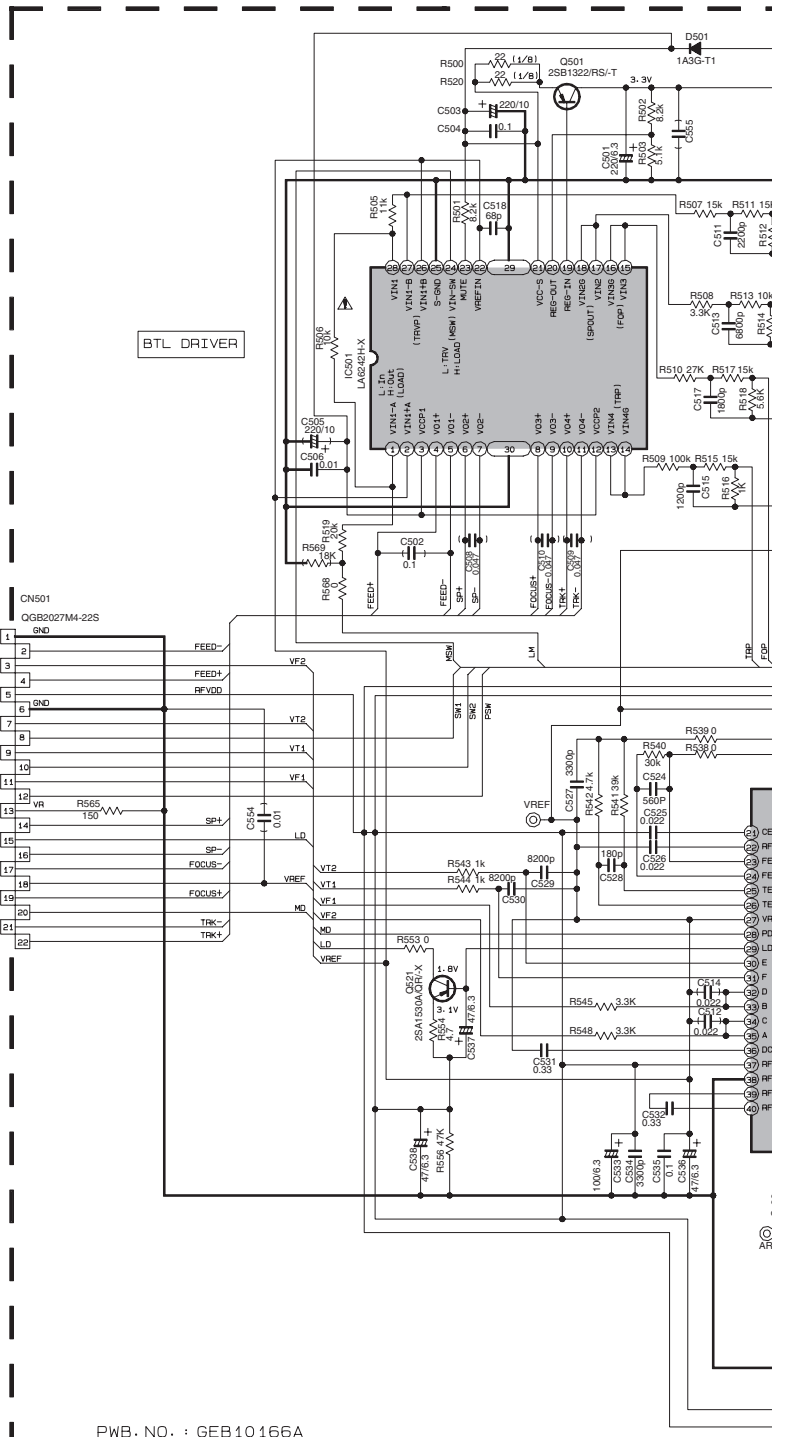
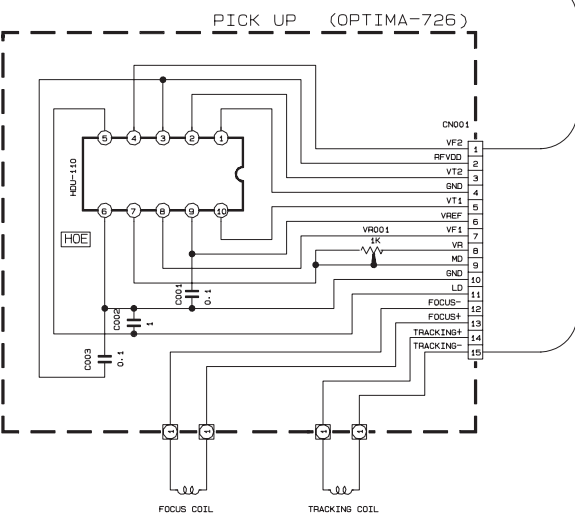
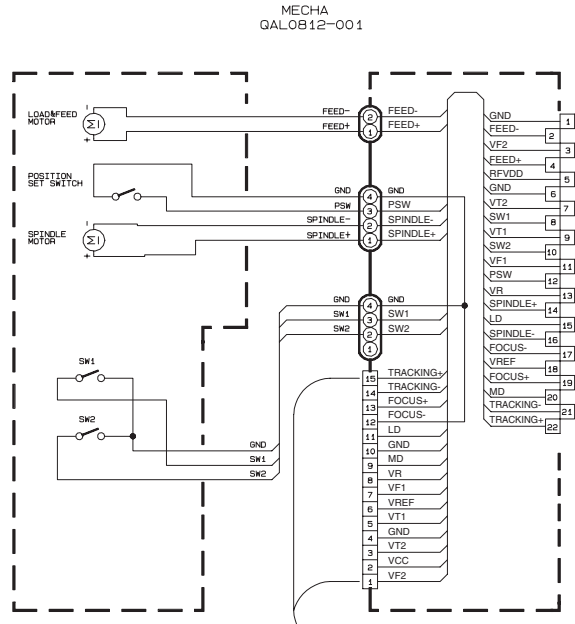


PWB. NO. : GEB10166A

- T1N441C-X
- T1N414C-X
- T1P414C-X

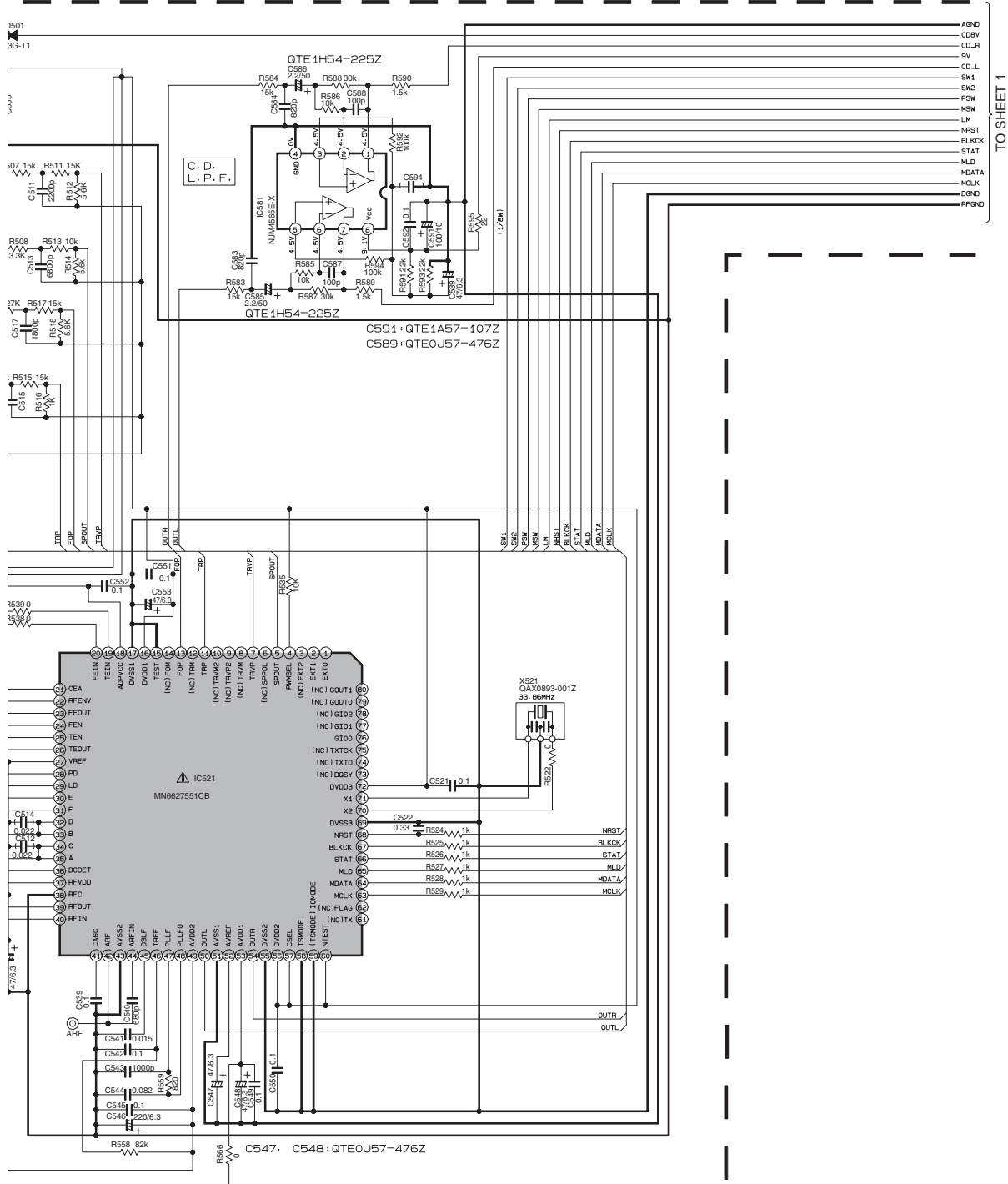
⚠ Parts are safety assurance parts.
When replacing those parts make
sure to use the specified one.

CD servo control section



- PWB. NO. : GEB10166A
- NOTES
1. VOLTAGES ARE DC-MEASURED WITH A DIGITAL VOLT METER WITHOUT INPUT SIGNAL.
 2. UNLESS OTHERWISE SPECIFIED.
ALL RESISTORS ARE 1/16W ±5% METAL GLAZE RESISTOR.
ALL CAPACITORS ARE 50V OR 25V CERAMIC CAPACITOR.
ALL RESISTANCE VALUES ARE IN OHM.
ALL CAPACITANCE VALUES ARE IN uF(P=pF)
ALL E-CAPACITORS ARE SHOWN IN THE FORM OF CAPACITANCE(uF)/RATED VOLTAGE(V)
T --- TANTALUM CAPACITOR.
 3. COMPONENTS IN () INDICATE NOT USE.

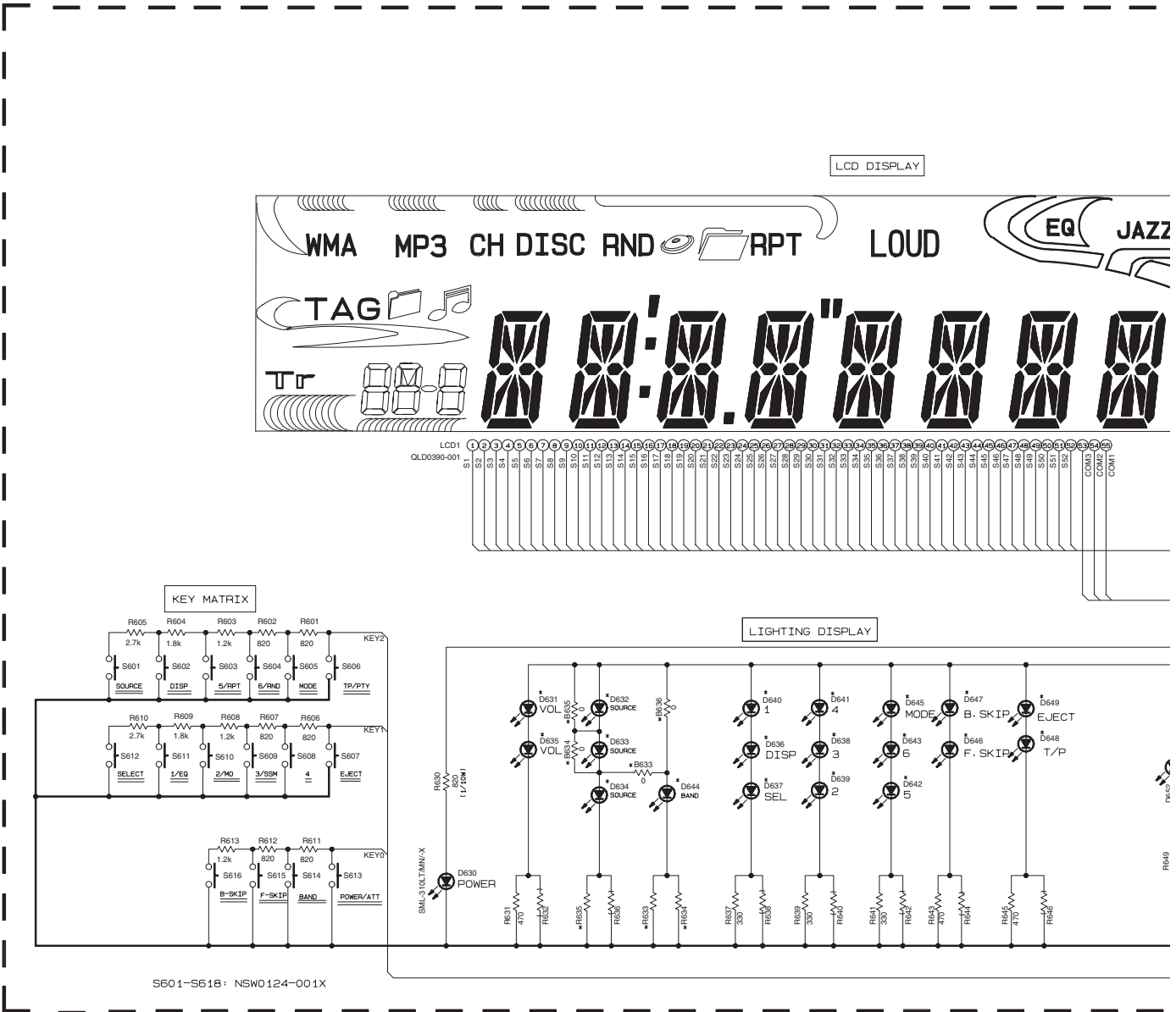




TO SHEET 1

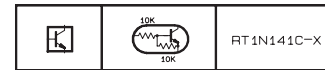
⚠ Parts are safety assurance parts.
When replacing those parts make
sure to use the specified one.

■ LCD & Key control section



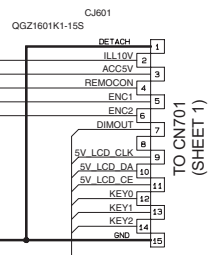
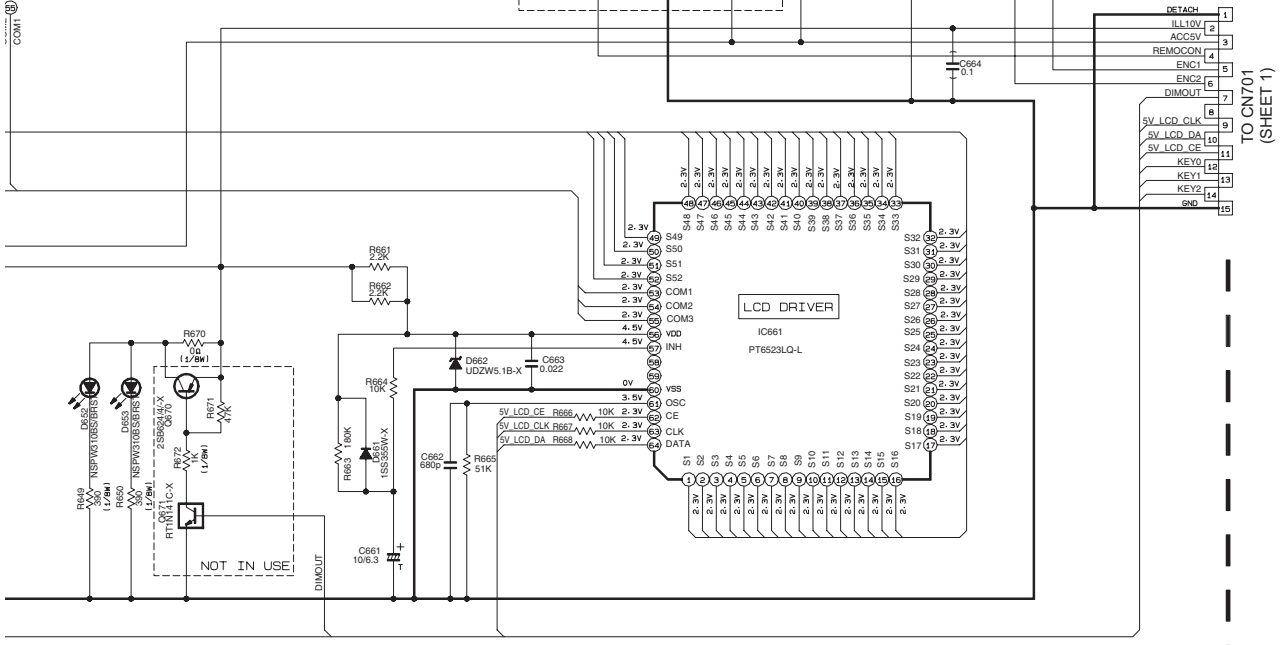
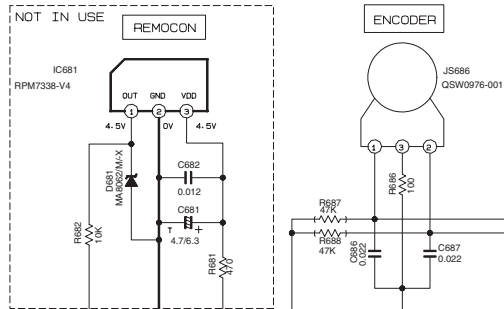
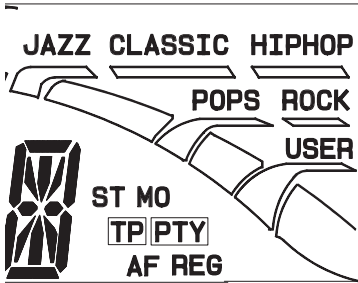
S601-S618: NSW0124-001X

REF. NAME	KD-G161E	KD-G162E
D632	LNJ308G81/1-3/X	NO USE
D633	NO USE	SML-310LT/MN/-X
D634	LNJ308G81/1-3/X	NO USE
D631, D635 D636 - D649	LNJ308G81/1-3/X	SML310VT/JK/-X
B633- B635	NO USE	USE
B634, B636	USE	NO USE
R633	1.2k	470
R634	1.5k	NO USE
R635	560	NO USE



NOTES

- VOLTAGES ARE DC-MEASURED WITH A DIGITAL VOLT METER.
- UNLESS OTHERWISE SPECIFIED.
ALL RESISTORS ARE 1/16W 15% METAL GLAZE RESISTOR.
ALL CAPACITORS ARE 50V OR 25V CERAMIC CAPACITOR.
ALL RESISTANCE VALUES ARE IN OHM.
ALL CAPACITANCE VALUES ARE IN uF(P=pF)
ALL E-CAPACITORS ARE SHOWN IN THE FORM OF CAPACIT T --- TANTALUM CAPACITOR.
- COMPONENTS IN () INDICATE NOT USE.



TO CN701
(SHEET 1)

□ 1N141C-X

— VOLT METER WITHOUT INPUT SIGNAL.

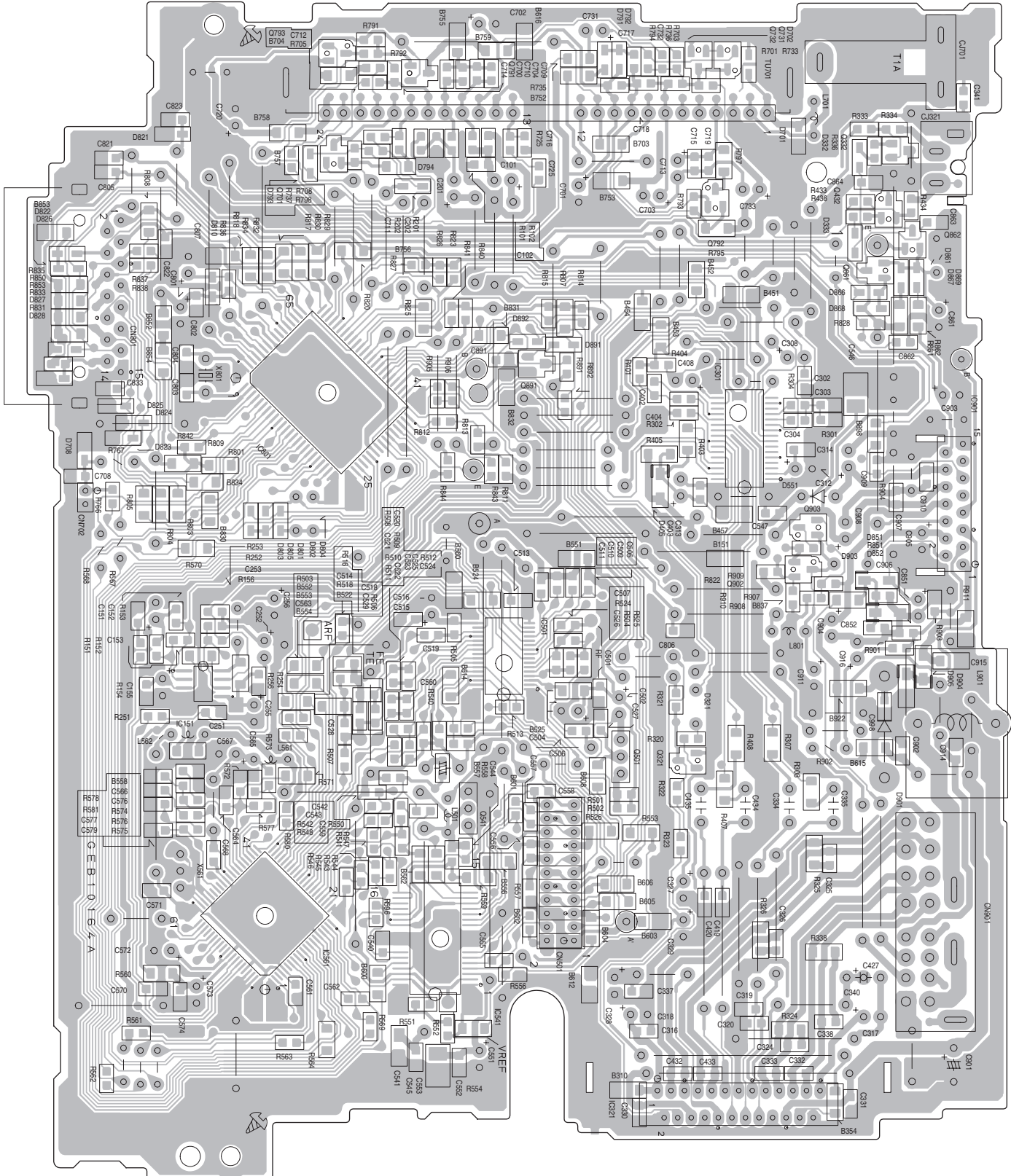
□ RESISTOR.
□ CAPACITOR.

□ OF CAPACITANCE (UF)/RATED VOLTAGE (V)

Printed circuit boards

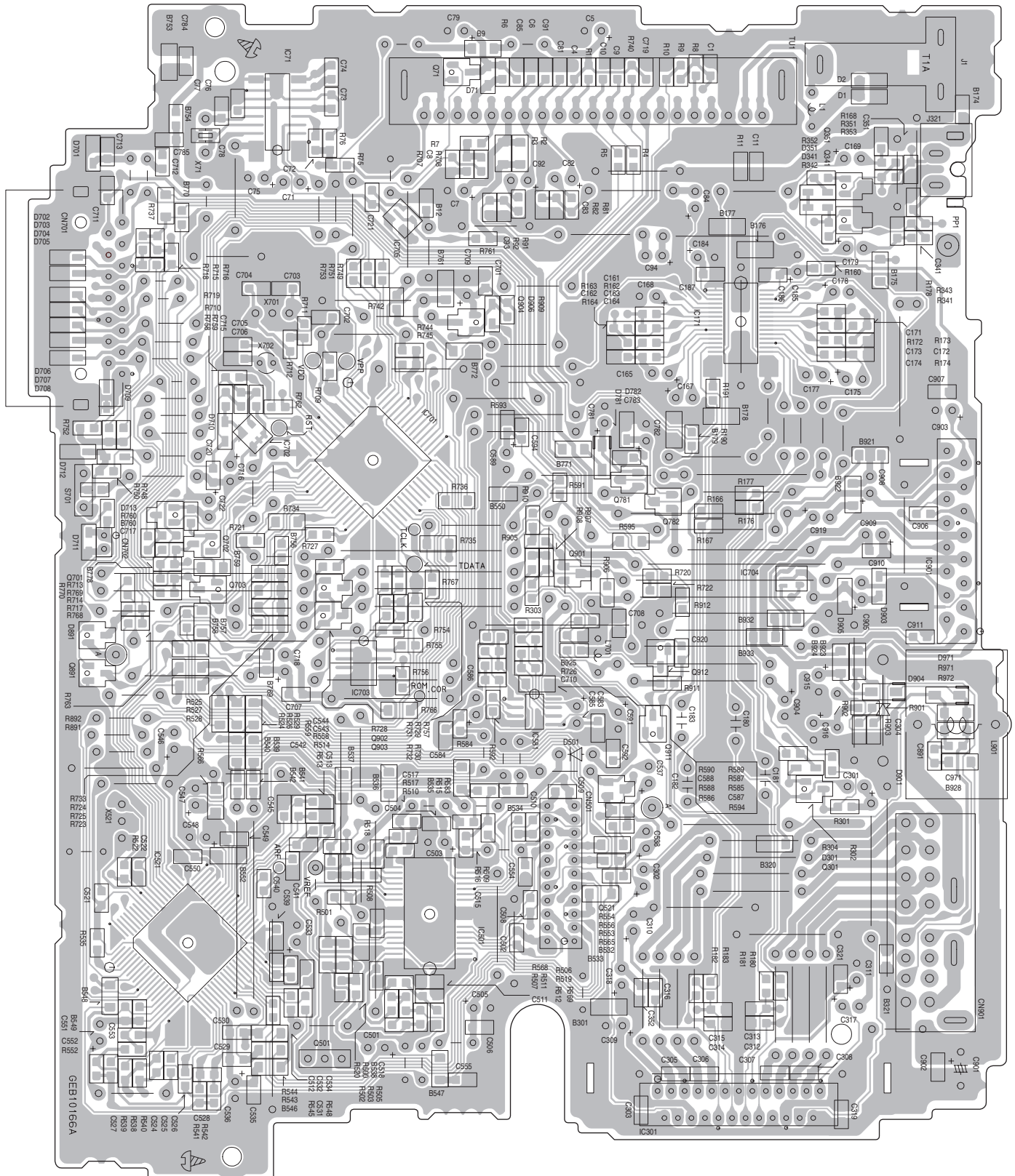
■ Main board (For KD-G120, KD-G120R, KD-G123, KD-G124, KD-G125 and KD-G126)

Lead free solder used in the board (material : Sn-Ag-Cu, melting point : 219 Centigrade)



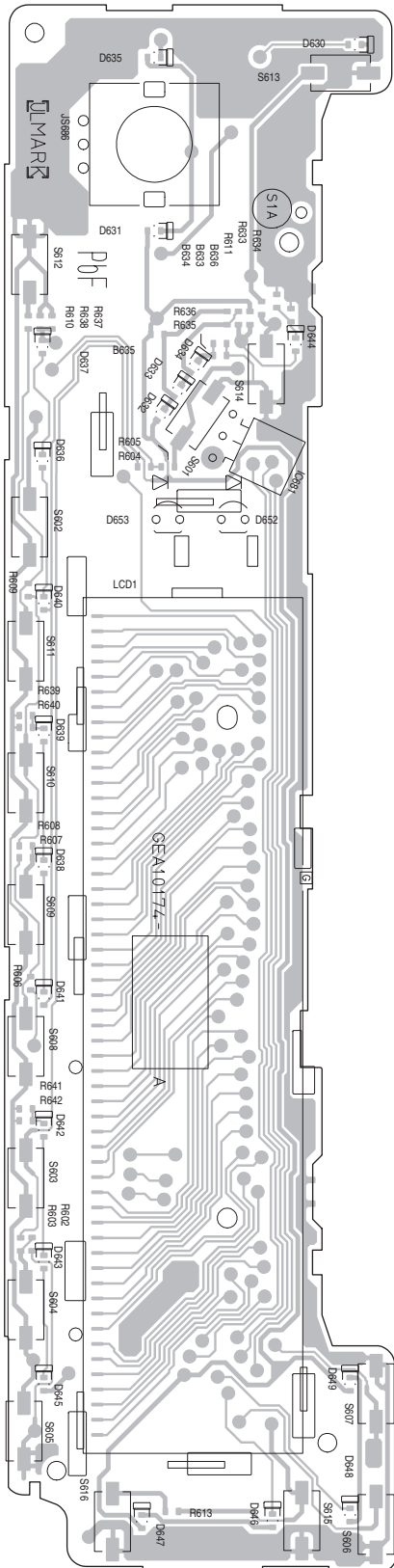
Main board (For KD-G161 and KD-G162)

Lead free solder used in the board (material : Sn-Ag-Cu, melting point : 219 Centigrade)

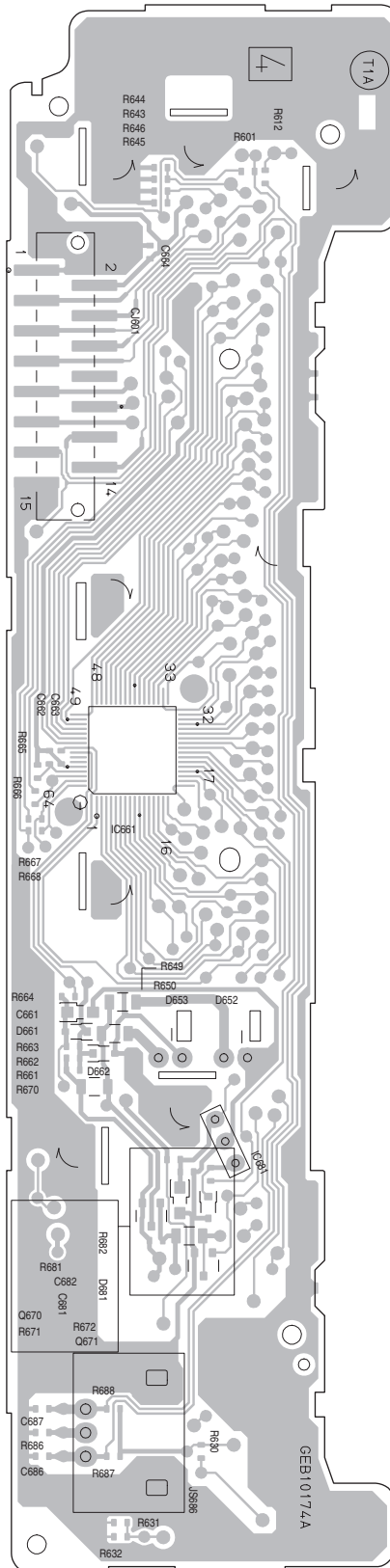


■ Switch board Lead free solder used in the board (material : Sn-Ag-Cu, melting point : 219 Centigrade)

Forward side



Reverse side



< MEMO >

JVC

Victor Company of Japan, Limited

Mobile Entertainment Business Group Mobile Entertainment Category 10-1,1chome,Ohwatari-machi,Maebashi-city,371-8543,Japan

(No.MA233SCH)



Printed in Japan
VPT

PARTS LIST

[KD-G120] [KD-G120R]
 [KD-G123] [KD-G124]
 [KD-G125] [KD-G126]
 [KD-G161] [KD-G162]

* All printed circuit boards and its assemblies are not available as service parts.

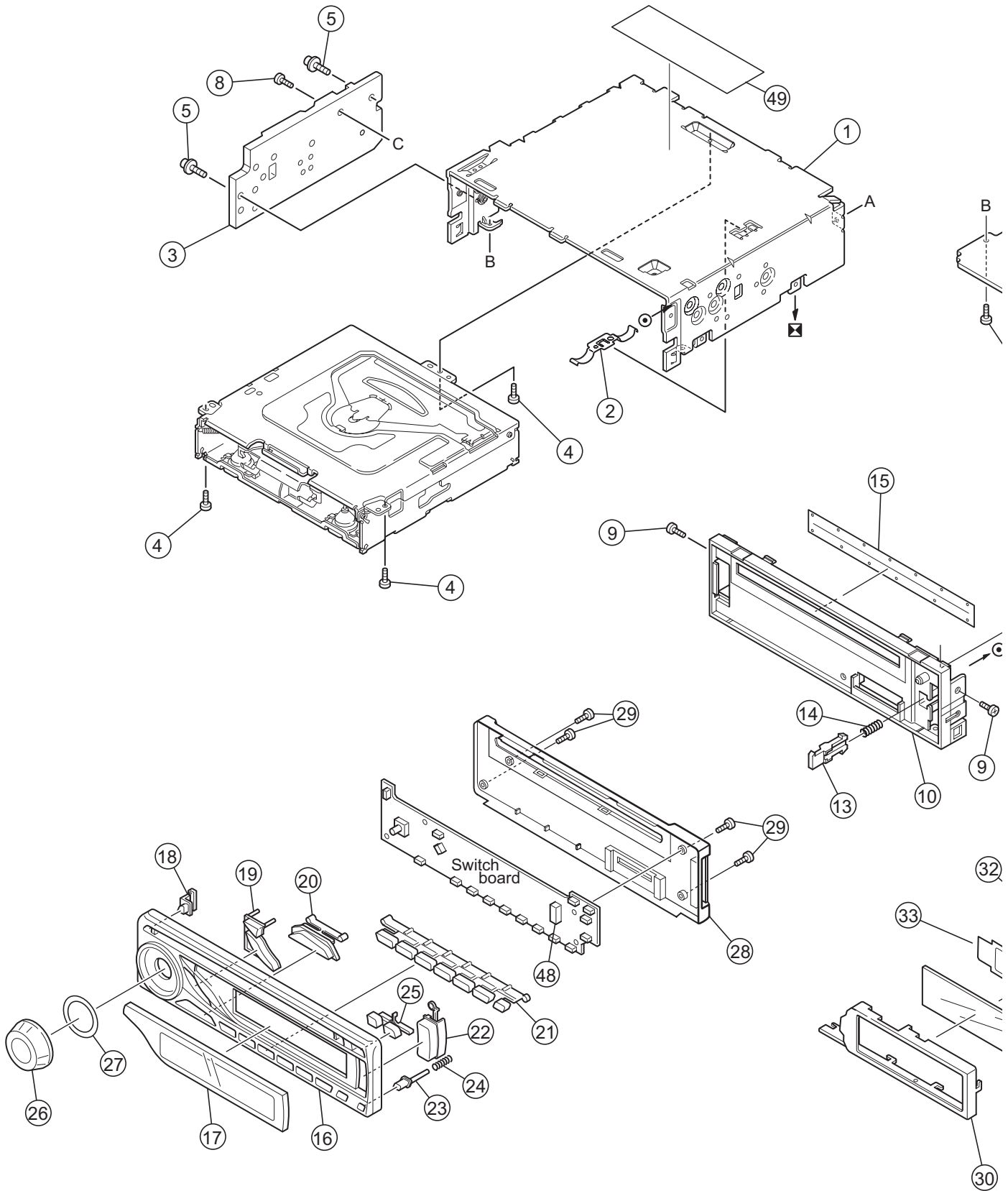
<p style="text-align: center;">KD-G120 , KD-G120R</p> <p style="text-align: center;">Area suffix</p> <p>J ----- Northern America</p>	<p style="text-align: center;">KD-G123 , KD-G124</p> <p style="text-align: center;">Area suffix</p> <p>UI ----- India</p>
<p style="text-align: center;">KD-G125 , KD-G126</p> <p style="text-align: center;">Area suffix</p> <p>UT ----- Taiwan</p> <p>UH ----- Thailand</p> <p>UN ----- Indonesia</p> <p>U ----- Other Areas</p>	<p style="text-align: center;">KD-G161 , KD-G162</p> <p style="text-align: center;">Area suffix</p> <p>E ----- Southern Europe</p> <p>EX ----- Northern Europe</p> <p>EY ----- Eastern Europe</p> <p>EU ----- Turkey</p>

- Contents -

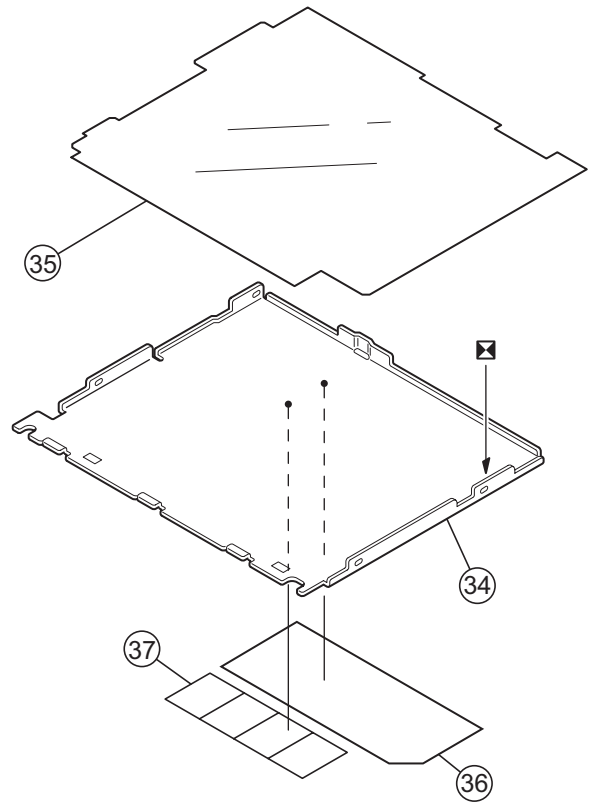
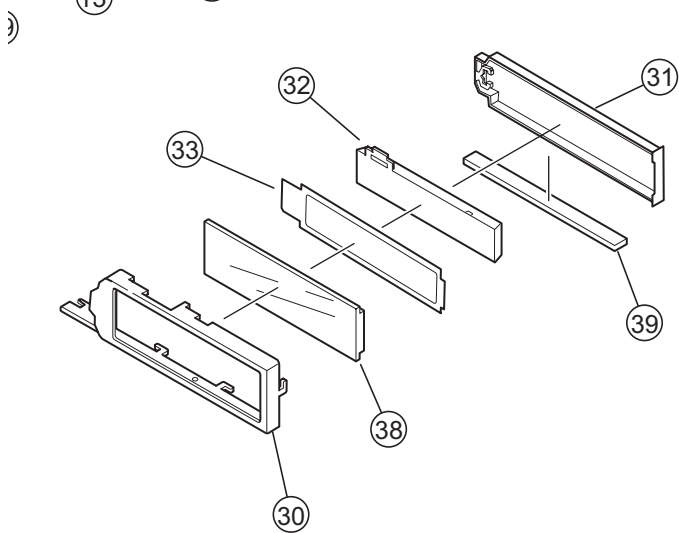
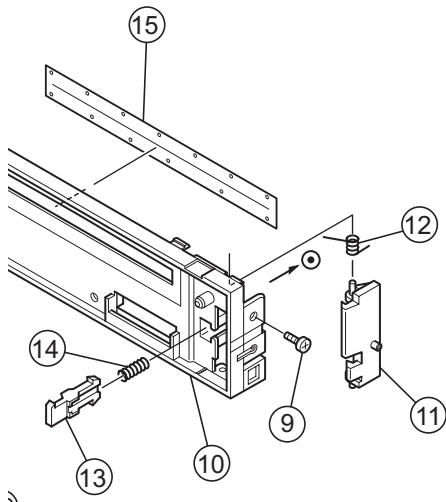
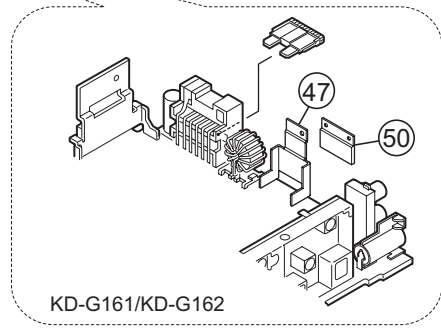
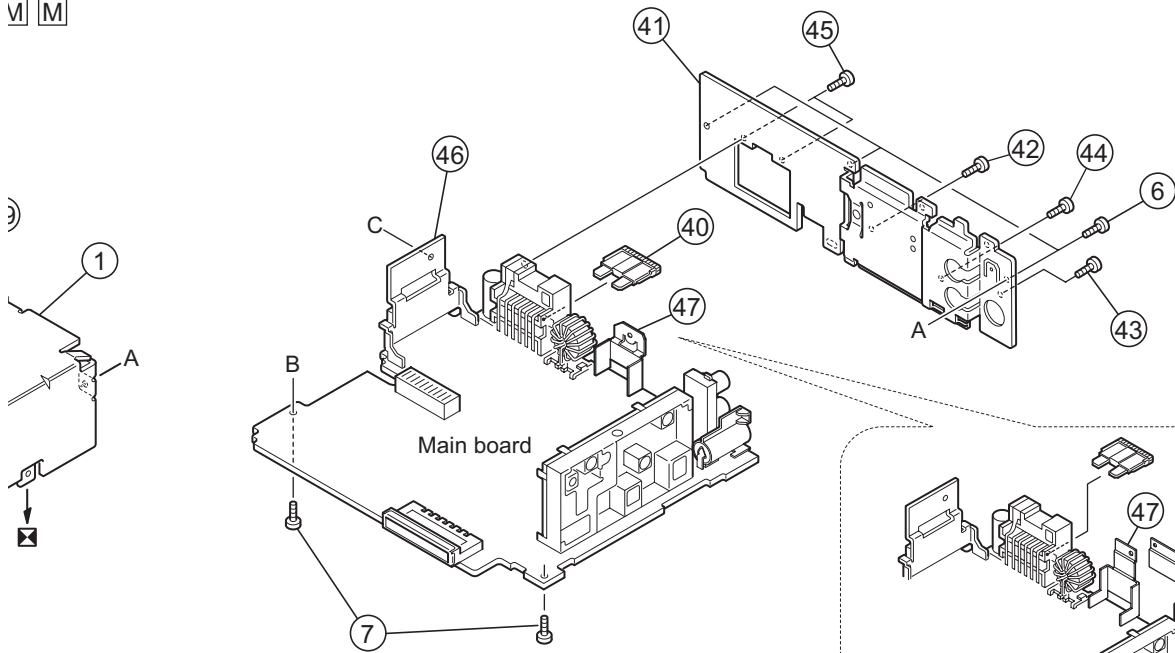
Exploded view of general assembly and parts list (Block No.M1) -----	3- 2
Electrical parts list (Block No.01~04) -----	3- 6
Packing materials and accessories parts list (Block No.M3) -----	3-14

Exploded view of general assembly and parts list

Block No. M 1 M M



VI M



General Assembly

Block No. [M][1][M][M]

△	Symbol No.	Part No.	Part Name	Description	Local
	1	GE10136-001A	TOP CHASSIS		
	2	GE40135-001A	EARTH PLATE		
	3	GE31894-001A	HEAT SINK		
	4	QYSDST2604ZA	TAP SCREW	M2.6 x 4mm(x3)	
	5	GE40235-001A	SCREW	(x2)	
	6	QYSDST2604ZA	TAP SCREW	M2.6 x 4mm(x3)	
	7	GE40235-004A	SCREW	(x2)	
	8	QYSDST2610ZA	TAP SCREW	M2.6 x 10mm	
	9	QYSDST2004ZA	TAP SCREW	M2 x 4mm(x2)	
	10	GE10137-001A	FRONT CHASSIS		
	11	GE31569-002A	LOCK LEVER		
	12	GE40269-001A	TORSION SPRING		
	13	GE31978-001A	RLS KNOB		
	14	GE40202-011A	COMP.SPRING		
	15	GE40294-002A	BLIND		
	16	GE10139-006A	FRONT PANEL		G120J
	16	GE10139-007A	FRONT PANEL		G120RJ
	16	GE10139-027A	FRONT PANEL		G123UI
	16	GE10139-028A	FRONT PANEL		G124UI
	16	GE10139-026A	FRONT PANEL		G125U,G125UH,G125UN,G125UT
	16	GE10139-011A	FRONT PANEL		G126U,G126UH,G126UN,G126UT
	16	GE10139-012A	FRONT PANEL		G161E,G161EU,G161EX,G161EY
	16	GE10139-013A	FRONT PANEL		G162E,G162EU,G162EX,G162EY
	17	GE31967-014A	FINDER ASSY		G120J
	17	GE31967-021A	FINDER ASSY		G120RJ
	17	GE31967-015A	FINDER ASSY		G123UI,G124UI,G125U,G125UH,G125UN,G125UT G126U,G126UH,G126UN,G126UT
	17	GE31967-016A	FINDER ASSY		G161E,G161EU,G161EX,G161EY,G162E,G162EU G162EX,G162EY
	18	GE31968-002A	POWER BUTTON		
	19	GE31969-001A	SRC BUTTON		
	20	GE31970-001A	SEL BUTTON		
	21	GE20188-001A	PRESET BUTTON		
	22	GE31971-001A	SEARCH BUTTON		
	23	GE31972-001A	DETACH BUTTON		
	24	GE40202-013A	COMP.SPRING		
	25	GE31973-001A	EJECT BUTTON		
	26	GE40296-004A	VOL KNOB ASSY		G120J,G120RJ,G124UI,G125U,G125UH,G125UN G125UT
	26	GE40296-001A	VOL KNOB ASSY		G123UI,G126U,G126UH,G126UN,G126UT
	26	GE40296-005A	VOL KNOB ASSY		G161E,G161EU,G161EX,G161EY
	26	GE40296-006A	VOL KNOB ASSY		G162E,G162EU,G162EX,G162EY
	27	GE40323-002A	SHEET		
	28	GE10140-002A	REAR COVER		
	29	VKZ4777-010	MINI SCREW	(x4)	
	30	GE31975-001A	LCD CASE		
	31	GE31977-001A	LENS CASE		
	32	GE31976-001A	LCD LENS		
	33	GE40297-001A	LIGHTING SHEET		
	34	GE31895-001A	BOTTOM COVER		
	35	GE31984-001A	INSULATOR		
	36	GE31834-001A	NAME PLATE		G120J
	36	GE32113-001A	NAME PLATE		G120RJ
	36	GE32005-001A	NAME PLATE		G123UI
	36	GE32008-001A	NAME PLATE		G124UI
	36	GE31837-001A	NAME PLATE		G125U,G125UH,G125UN,G125UT
	36	GE31840-001A	NAME PLATE		G126U,G126UH,G126UN,G126UT
	36	GE31852-001A	NAME PLATE		G161E,G161EU,G161EX,G161EY
	36	GE31855-001A	NAME PLATE		G162E,G162EU,G162EX,G162EY
	37	LV41843-002A	LASER CAUTION		G123UI,G124UI,G125U,G125UH,G125UN,G125UT G126U,G126UH,G126UN,G126UT,G161E,G161EU G161EX,G161EY,G162E,G162EU,G162EX,G162EY
	38	QLD0392-001	LCD MODULE		G120J,G120RJ,G123UI,G124UI,G125U,G125UH G125UN,G125UT,G126U,G126UH,G126UN,G126UT G161E,G161EU,G161EX,G161EY,G162E
	38	QLD0390-001	LCD MODULE		G161E,G161EU,G161EX,G161EY,G162E
	39	QNZ0823-001	LCD CONNECTOR		G162EU,G162EX,G162EY
△	40	QMFZ047-150-T	FUSE	15A	
	41	GE31571-005A	REAR BRACKET		
	42	QYSDST2606ZA	TAP SCREW	M2.6 x 6mm	
	43	QYSDST2606ZA	TAP SCREW	M2.6 x 6mm	
	44	QYSDSF2606ZA	TAP SCREW	M2.6 x 6mm	
	45	QYSDSF2606ZA	TAP SCREW	M2.6 x 6mm(x2)	
	46	GE40172-004A	IC BRACKET		
	47	GE40124-002A	REG BRACKET		G120J,G120RJ,G123UI,G124UI,G125U,G125UH G125UN,G125UT,G126U,G126UH,G126UN,G126UT G161E,G161EU,G161EX,G161EY,G162E,G162EU G162EX,G162EY
	47	GE40103-003A	REG BRACKET		

△ Symbol No.	Part No.	Part Name	Description	Local
48	GE30854-001A	LED HOLDER		
49	GE31574-021A	UT LABEL		G125UT
49	GE31574-022A	UT LABEL		G126UT
50	GE40107-002A	HEAT SINK		G161E,G161EU,G161EX,G161EY,G162E,G162EU G162EX,G162EY

Electrical parts list

Main board

(KD-G120,G120R,G123,G124,G125,G126)

Block No. [0][1]

△ Symbol No.	Part No.	Part Name	Description	Local
IC151	NJM4565E-X	IC		
IC301	BD3809FS-X	IC		
△ IC321	LA4743K	POWER IC		G120J G120RJ G123UI G124UI G125U G125UH G125UN G125UT G126U G126UH G126UN G126UT
△ IC321	LA47516	POWER IC		G120J G120RJ G123UI G124UI G125U G125UH G125UN G125UT G126U G126UH G126UN G126UT
IC501	AN22002A-W	IC		
△ IC541	LA6242H-X	IC		
△ IC561	MN6627482WA	IC		
△ IC801	JES01-9D13	IC		
△ IC901	R2S25400DS-E	REGULATOR IC		
Q321	RT1N441C-X	TRANSISTOR		
Q332	KTD1304-X	TRANSISTOR		
Q432	KTD1304-X	TRANSISTOR		
Q501	2SA2093/QR/-T	TRANSISTOR		
Q541	2SA2093/QR/-T	TRANSISTOR		
Q701	RT1N141C-X	DIGI TRANSISTOR		
Q731	2SC3928A/R/-X	TRANSISTOR		
Q732	2SC3928A/R/-X	TRANSISTOR		
Q791	2SA1365/F/-X	TRANSISTOR		
Q792	2SA1530A/R/-X	TRANSISTOR		
Q793	RT1N141C-X	DIGI TRANSISTOR		
Q861	RT1P141C-X	DIGI TRANSISTOR		
Q862	RT1P141C-X	DIGI TRANSISTOR		
Q902	2SC3928A/R/-X	TRANSISTOR		
Q903	2SA1530A/R/-X	TRANSISTOR		
D321	1SS133-T2	SI DIODE		
D332	KDS4148U-X	DIODE		
D333	KDS4148U-X	DIODE		
D405	CRS03-W	SB DIODE		
D551	1A3G-T1	SI DIODE		
D701	1SS355W-X	DIODE C.M		
D702	1SS355W-X	DIODE C.M		
D791	KDS4148U-X	DIODE		
D792	KDS4148U-X	DIODE		
D793	KDS4148U-X	DIODE		G123UI G124UI G125U G125UH G125UN G125UT G126U G126UH G126UN G126UT
D794	KDS4148U-X	DIODE		G123UI G124UI G125U G125UH G125UN G125UT G126U G126UH G126UN G126UT
D801	1SS355W-X	DIODE C.M		G120J G120RJ G123UI G124UI G125U G125UH G125UN G125UT G126U G126UH G126UN G126UT
D802	1SS133-T2	SI DIODE		G120J G120RJ G123UI G124UI G125U G125UH G125UN G125UT G126U G126UH G126UN G126UT
D810	KDS4148U-X	DIODE		
D821	UDZW6.2B-X	SI DIODE		
D822	UDZW6.2B-X	SI DIODE		
D823	UDZW6.2B-X	SI DIODE		
D824	UDZW6.2B-X	SI DIODE		
D825	UDZW6.2B-X	SI DIODE		
D826	UDZW6.2B-X	SI DIODE		
D827	UDZW6.2B-X	SI DIODE		

△ Symbol No.	Part No.	Part Name	Description	Local
D828	UDZW6.2B-X	SI DIODE		G123UI G124UI G125U G125UH G125UN G125UT G126U G126UH G126UN G126UT
D851	CRS03-W	SB DIODE		G123UI G124UI G125U G125UH G125UN G125UT G126U G126UH G126UN G126UT
D852	CRS03-W	SB DIODE		G123UI G124UI G125U G125UH G125UN G125UT G126U G126UH G126UN G126UT
D861	MTZJ4.7B-T2	Z DIODE		
D866	KDS4148U-X	DIODE		
D867	KDS4148U-X	DIODE		
D868	KDS4148U-X	DIODE		
D869	KDS4148U-X	DIODE		
△ D901	1N5401-F64	DIODE		
D903	1SS133-T2	SI DIODE		
D904	CRS03-W	SB DIODE		
D905	CRS03-W	SB DIODE		
C101	QTE1H57-105Z	E CAPACITOR	1uF 50V	
C102	NCB31HK-392X	C CAPACITOR	3900pF 50V K	G120J G120RJ G123UI G124UI G125U G125UH G125UN G125UT G126U G126UH G126UN G126UT
C102	NCB31HK-222X	C CAPACITOR	2200pF 50V K	G120J G120RJ G123UI G124UI G125U G125UH G125UN G125UT G126U G126UH G126UN G126UT
C151	NCB31HK-102X	C CAPACITOR	1000pF 50V K	
C152	QTE1H54-225Z	E CAPACITOR	2.2uF 50V	
C153	NDC31HJ-151X	C CAPACITOR	150pF 50V J	
C155	QTE0J57-476Z	E CAPACITOR	47uF 6.3V	
C201	QTE1H57-105Z	E CAPACITOR	1uF 50V	
C202	NCB31HK-392X	C CAPACITOR	3900pF 50V K	G120J G120RJ G123UI G124UI G125U G125UH G125UN G125UT G126U G126UH G126UN G126UT
C202	NCB31HK-222X	C CAPACITOR	2200pF 50V K	G120J G120RJ G123UI G124UI G125U G125UH G125UN G125UT G126U G126UH G126UN G126UT
C251	NCB31HK-102X	C CAPACITOR	1000pF 50V K	
C252	QTE1H54-225Z	E CAPACITOR	2.2uF 50V	
C253	NDC31HJ-151X	C CAPACITOR	150pF 50V J	
C255	QTE0J57-476Z	E CAPACITOR	47uF 6.3V	
C256	QTE1A57-107Z	E CAPACITOR	100uF 10V	
C302	NCB31CK-224X	C CAPACITOR	0.22uF 16V K	
C304	NCB21CK-224X	C CAPACITOR	0.22uF 16V K	
C308	QEKJ1EM-475Z	E CAPACITOR	4.7uF 25V M	
C312	QTE1C57-106Z	E CAPACITOR	10uF 16V	
C313	NCB31EK-104X	C CAPACITOR	0.1uF 25V K	
C314	NCB31HK-103X	C CAPACITOR	0.01uF 50V K	G123UI G124UI G125U G125UH G125UN G125UT G126U G126UH G126UN G126UT
C317	QEKJ1HM-105Z	E CAPACITOR	1uF 50V M	G123UI G124UI G125U G125UH G125UN G125UT G126U G126UH G126UN G126UT
C318	QEKJ1HM-105Z	E CAPACITOR	1uF 50V M	G123UI G124UI G125U G125UH G125UN G125UT G126U G126UH G126UN G126UT
C319	NDC31HJ-101X	C CAPACITOR	100pF 50V J	
C320	NDC31HJ-101X	C CAPACITOR	100pF 50V J	
C327	QEKJ1HM-105Z	E CAPACITOR	1uF 50V M	
C328	QTE1C57-476Z	E CAPACITOR	47uF 16V	
C329	QEKJ1EM-475Z	E CAPACITOR	4.7uF 25V M	
C330	NCB31HK-223X	C CAPACITOR	0.022uF 50V K	

△ Symbol No.	Part No.	Part Name	Description	Local	△ Symbol No.	Part No.	Part Name	Description	Local
C331	NCB31HK-223X	C CAPACITOR	0.022uF 50V K						G123UI
C332	NCB31EK-104X	C CAPACITOR	0.1uF 25V K						G124UI
C333	NCB31EK-104X	C CAPACITOR	0.1uF 25V K						G125U
C334	QFV91HJ-474Z	MF CAPACITOR	0.47uF 50V J		C704	NCB31HK-122X	C CAPACITOR	1200pF 50V K	G125UH
C335	QFV91HJ-474Z	MF CAPACITOR	0.47uF 50V J						G125UN
C341	NCB31HK-473X	C CAPACITOR	0.047uF 50V K						G125UT
C402	NCB31CK-224X	C CAPACITOR	0.22uF 16V K		C709	NCB31EK-153X	C CAPACITOR	0.015uF 25V K	G126U
C403	QTE1A57-107Z	E CAPACITOR	100uF 10V						G126UH
C404	NCB21CK-224X	C CAPACITOR	0.22uF 16V K						G126UN
C408	QEKJ1EM-475Z	E CAPACITOR	4.7uF 25V M						G126UT
C419	NDC31HJ-101X	C CAPACITOR	100pF 50V J		C709	NCB31HK-123X	C CAPACITOR	0.012uF 50V K	G120J
C420	NDC31HJ-101X	C CAPACITOR	100pF 50V J						G120RJ
C427	QEKJ1CM-226Z	E CAPACITOR	22uF 16V M						G123UI
C432	NCB31EK-104X	C CAPACITOR	0.1uF 25V K						G124UI
C433	NCB31EK-104X	C CAPACITOR	0.1uF 25V K		C710	NCB31EK-153X	C CAPACITOR	0.015uF 25V K	G125U
C434	QFV91HJ-474Z	MF CAPACITOR	0.47uF 50V J						G125UH
C435	QFV91HJ-474Z	MF CAPACITOR	0.47uF 50V J						G125UN
C501	NCB31EK-104X	C CAPACITOR	0.1uF 25V K		C710	NCB31HK-123X	C CAPACITOR	0.012uF 50V K	G125UT
C502	QEKJ1CM-106Z	E CAPACITOR	10uF 16V M						G126U
C504	QEKJ1AM-107Z	E CAPACITOR	100uF 10V M						G126UH
C505	NCB31EK-104X	C CAPACITOR	0.1uF 25V K						G126UN
C506	NDC31HJ-680X	C CAPACITOR	68pF 50V J						G126UT
C507	NCB31AK-334X	C CAPACITOR	0.33uF 10V K		C711	NCB31HK-103X	C CAPACITOR	0.01uF 50V K	G120J
C509	NCB31EK-393X	C CAPACITOR	0.039uF 25V K						G120RJ
C510	NCB31HK-272X	C CAPACITOR	2700pF 50V K						G123UI
C511	NCB31HK-272X	C CAPACITOR	2700pF 50V K						G124UI
C513	NDC31HJ-151X	C CAPACITOR	150pF 50V J		C711	NCB31HK-331X	C CAPACITOR	330pF 50V K	G125U
C514	NCB31EK-563X	C CAPACITOR	0.056uF 25V K						G125UH
C515	NCB31EK-104X	C CAPACITOR	0.1uF 25V K						G125UN
C516	QERF1AM-107Z	E CAPACITOR	100uF 10V M						G125UT
C518	NCB31EK-473X	C CAPACITOR	0.047uF 25V K		C712	NCB31HK-104X	C CAPACITOR	0.1uF 50V K	G126U
C519	NCB31EK-473X	C CAPACITOR	0.047uF 25V K		C713	NCB31EK-473X	C CAPACITOR	0.047uF 25V K	G126UH
C520	NDC31HJ-390X	C CAPACITOR	39pF 50V J						G126UN
C521	NDC31HJ-271X	C CAPACITOR	270pF 50V J						G126UT
C522	NCB31HK-223X	C CAPACITOR	0.022uF 50V K		C714	NDC31HJ-121X	C CAPACITOR	120pF 50V J	
C523	NCB31HK-223X	C CAPACITOR	0.022uF 50V K		C715	QEKJ1CM-226Z	E CAPACITOR	22uF 16V M	
C524	NCB31EK-333X	C CAPACITOR	0.033uF 25V K		C717	NDC31HJ-221X	C CAPACITOR	220pF 50V J	
C525	NCB31EK-333X	C CAPACITOR	0.033uF 25V K		C718	NCB31EK-223X	C CAPACITOR	0.022uF 25V K	
C528	NCB31EK-104X	C CAPACITOR	0.1uF 25V K		C720	QEKJ1AM-227Z	E CAPACITOR	220uF 10V M	
C540	NDC31HJ-680X	C CAPACITOR	68pF 50V J		C725	NCB31HK-103X	C CAPACITOR	0.01uF 50V K	
C541	NBE20JM-476X	TA E CAPACITOR	47uF 6.3V M		C731	QTE1H57-225Z	E CAPACITOR	2.2uF 50V	
C542	NCB31HK-332X	C CAPACITOR	3300pF 50V K		C732	NCB31HK-102X	C CAPACITOR	1000pF 50V K	
C543	NCB31EK-333X	C CAPACITOR	0.033uF 25V K		C733	QEKJ1AM-227Z	E CAPACITOR	220uF 10V M	
C545	NCB31HK-103X	C CAPACITOR	0.01uF 50V K		C801	QEKJ0JM-227Z	E CAPACITOR	220uF 6.3V M	
C546	NBE41AM-476X	TA E CAPACITOR	47uF 10V M		C802	NCB31HK-103X	C CAPACITOR	0.01uF 50V K	
C547	NCB31EK-223X	C CAPACITOR	0.022uF 25V K		C803	NDC31HJ-220X	C CAPACITOR	22pF 50V J	
C551	QEKJ1AM-227Z	E CAPACITOR	220uF 10V M		C804	NDC31HJ-330X	C CAPACITOR	33pF 50V J	
C552	NCB31HK-103X	C CAPACITOR	0.01uF 50V K		C807	QEKJ1CM-106Z	E CAPACITOR	10uF 16V M	
C555	NCB31EK-473X	C CAPACITOR	0.047uF 25V K		C821	NCB31EK-104X	C CAPACITOR	0.1uF 25V K	
C556	NCB31EK-473X	C CAPACITOR	0.047uF 25V K		C822	NCB31EK-104X	C CAPACITOR	0.1uF 25V K	
C557	NCB31EK-473X	C CAPACITOR	0.047uF 25V K		C823	NCB31EK-104X	C CAPACITOR	0.1uF 25V K	
C558	NCB31EK-473X	C CAPACITOR	0.047uF 25V K						G123UI
C561	NCB31EK-104X	C CAPACITOR	0.1uF 25V K						G124UI
C562	NCB31AK-334X	C CAPACITOR	0.33uF 10V K		C851	QEKJ1CM-106Z	E CAPACITOR	10uF 16V M	G125U
C563	NCB31HK-471X	C CAPACITOR	470pF 50V K						G125UH
C564	NCB21EK-223X	C CAPACITOR	0.022uF 25V K						G125UN
C565	NCB31EK-104X	C CAPACITOR	0.1uF 25V K						G125UT
C566	NCB31EK-104X	C CAPACITOR	0.1uF 25V K						G126U
C567	QEKJ1AM-107Z	E CAPACITOR	100uF 10V M						G126UH
C568	NCB31EK-104X	C CAPACITOR	0.1uF 25V K		C852	NCB31HK-103X	C CAPACITOR	0.01uF 50V K	G126UN
C571	NCB31EK-104X	C CAPACITOR	0.1uF 25V K						G126UT
C572	QEKJ1AM-107Z	E CAPACITOR	100uF 10V M						G123UI
C573	QEKJ1AM-227Z	E CAPACITOR	220uF 10V M						G124UI
C574	NCB31HK-103X	C CAPACITOR	0.01uF 50V K		C861	QEKJ0JM-227Z	E CAPACITOR	220uF 6.3V M	G125U
C576	NDC31HJ-101X	C CAPACITOR	100pF 50V J		C862	NCB31EK-823X	C CAPACITOR	0.082uF 25V K	G125UH
C577	NCB31EK-104X	C CAPACITOR	0.1uF 25V K		C864	NCB31EK-823X	C CAPACITOR	0.082uF 25V K	G125UN
C579	NCB31HK-102X	C CAPACITOR	1000pF 50V K		C901	QEZ0645-228	E CAPACITOR	2200uF	G125UT
				G123UI					G126U
				G124UI					G126UH
				G125U					G126UN
				G125UH					G126UT
				G125UN					G120J
				G125UT					G120RJ
				G126U					G123UI
				G126UH					G124UI
				G126UN					G125U
				G126UT					G125UH
									G125UN
									G125UT
									G126U
									G126UH
									G126UN
									G126UT
C700	NCB31HK-122X	C CAPACITOR	1200pF 50V K		C901	QEZ0769-278	E CAPACITOR	2700uF	G120J
									G120RJ
									G123UI
									G124UI
									G125U
									G125UH
									G125UN
									G125UT
									G126U
									G126UH
									G126UN
									G126UT
C701	QEKJ1CM-476Z	E CAPACITOR	47uF 16V M		C902	NCB31HK-103X	C CAPACITOR	0.01uF 50V K	
C702	QEKJ1HM-104Z	E CAPACITOR	0.1uF 50V M		C903	QEKJ1CM-226Z	E CAPACITOR	22uF 16V M	
C703	QEKJ1HM-104Z	E CAPACITOR	0.1uF 50V M		C904	QEKJ1CM-226Z	E CAPACITOR	22uF 16V M	
					C905	QEKJ1CM-226Z	E CAPACITOR	22uF 16V M	

△ Symbol No.	Part No.	Part Name	Description	Local	△ Symbol No.	Part No.	Part Name	Description	Local
C906	NCB31EK-104X	C CAPACITOR	0.1uF 25V K		R507	NRSA63J-102X	MG RESISTOR	1kΩ 1/16W J	
C907	NCB31HK-103X	C CAPACITOR	0.01uF 50V K		R508	NRSA63J-274X	MG RESISTOR	270kΩ 1/16W J	
C908	QEKJ1AM-107Z	E CAPACITOR	100uF 10V M		R509	NRSA63J-363X	MG RESISTOR	36kΩ 1/16W J	
C909	QEKJ1AM-107Z	E CAPACITOR	100uF 10V M		R510	NRSA63J-823X	MG RESISTOR	82kΩ 1/16W J	
C910	NCB31HK-103X	C CAPACITOR	0.01uF 50V K		R511	NRSA63J-224X	MG RESISTOR	220kΩ 1/16W J	
C911	QEKJ1AM-227Z	E CAPACITOR	220uF 10V M		R512	NRSA63J-473X	MG RESISTOR	47kΩ 1/16W J	
C914	NCB31EK-104X	C CAPACITOR	0.1uF 25V K		R513	NRSA63J-473X	MG RESISTOR	47kΩ 1/16W J	
C915	NCB11CK-225X	C CAPACITOR	2.2uF 16V K		R516	NRSA63J-623X	MG RESISTOR	62kΩ 1/16W J	
C916	QEKJ1HM-225Z	E CAPACITOR	2.2uF 50V M		R518	NRSA63J-105X	MG RESISTOR	1MΩ 1/16W J	
R101	NRSA63J-123X	MG RESISTOR	12kΩ 1/16W J	G120J G120RJ G123UI G124UI G125U G125UH G125UN G125UT G126U G126UH G126UN G126UT	R524	NRSA63J-332X	MG RESISTOR	3.3kΩ 1/16W J	
R101	NRSA63J-752X	MG RESISTOR	7.5kΩ 1/16W J		R525	NRSA63J-152X	MG RESISTOR	1.5kΩ 1/16W J	
R102	NRSA63J-822X	MG RESISTOR	8.2kΩ 1/16W J		R526	NRS181J-120X	MG RESISTOR	12Ω 1/8W J	
R102	NRSA63J-153X	MG RESISTOR	15kΩ 1/16W J		R541	NRSA02J-682X	MG RESISTOR	6.8kΩ 1/10W J	
R151	NRSA63J-153X	MG RESISTOR	15kΩ 1/16W J		R542	NRSA63J-561X	MG RESISTOR	560Ω 1/16W J	
R152	NRSA63J-562X	MG RESISTOR	5.6kΩ 1/16W J		R543	NRSA63J-473X	MG RESISTOR	47kΩ 1/16W J	
R153	NRSA63J-223X	MG RESISTOR	22kΩ 1/16W J		R544	NRSA63J-152X	MG RESISTOR	1.5kΩ 1/16W J	
R154	NRSA63J-223X	MG RESISTOR	22kΩ 1/16W J		R545	NRSA63J-202X	MG RESISTOR	2kΩ 1/16W J	
R156	NRS181J-223X	MG RESISTOR	22kΩ 1/8W J		R546	NRSA63J-153X	MG RESISTOR	15kΩ 1/16W J	
R201	NRSA63J-123X	MG RESISTOR	12kΩ 1/16W J		R547	NRSA63J-274X	MG RESISTOR	270kΩ 1/16W J	
R201	NRSA63J-752X	MG RESISTOR	7.5kΩ 1/16W J		R548	NRSA63J-562X	MG RESISTOR	5.6kΩ 1/16W J	
R202	NRSA63J-822X	MG RESISTOR	8.2kΩ 1/16W J		R550	NRSA63J-123X	MG RESISTOR	12kΩ 1/16W J	
R202	NRSA63J-153X	MG RESISTOR	15kΩ 1/16W J		R551	NRSA63J-202X	MG RESISTOR	2kΩ 1/16W J	
R251	NRSA63J-153X	MG RESISTOR	15kΩ 1/16W J		R552	NRSA63J-183X	MG RESISTOR	18kΩ 1/16W J	
R252	NRSA63J-562X	MG RESISTOR	5.6kΩ 1/16W J		R553	NRS181J-0R0X	MG RESISTOR	0Ω 1/8W J	
R253	NRSA63J-223X	MG RESISTOR	22kΩ 1/16W J		R554	NRS181J-513X	MG RESISTOR	51kΩ 1/8W J	
R254	NRSA63J-223X	MG RESISTOR	22kΩ 1/16W J		R557	NRSA02J-151X	MG RESISTOR	150Ω 1/10W J	
R256	NRS181J-223X	MG RESISTOR	22kΩ 1/8W J		R558	NRSA02J-103X	MG RESISTOR	10kΩ 1/10W J	
R301	NRSA63J-222X	MG RESISTOR	2.2kΩ 1/16W J		R559	NRS181J-332X	MG RESISTOR	3.3kΩ 1/8W J	
R302	NRSA63J-333X	MG RESISTOR	33kΩ 1/16W J		R560	NRS181J-101X	MG RESISTOR	100Ω 1/8W J	
R304	NRSA63J-473X	MG RESISTOR	47kΩ 1/16W J		R561	NRSA63J-102X	MG RESISTOR	1kΩ 1/16W J	
R307	NRS181J-273X	MG RESISTOR	27kΩ 1/8W J		R562	NRSA63J-102X	MG RESISTOR	1kΩ 1/16W J	
R308	NRS181J-273X	MG RESISTOR	27kΩ 1/8W J		R563	NRSA63J-102X	MG RESISTOR	1kΩ 1/16W J	
R320	NRSA63J-333X	MG RESISTOR	33kΩ 1/16W J		R564	NRS181J-102X	MG RESISTOR	1kΩ 1/8W J	
R321	NRSA63J-473X	MG RESISTOR	47kΩ 1/16W J		R567	QRE141J-102Y	C RESISTOR	1kΩ 1/4W J	
R322	NRSA63J-272X	MG RESISTOR	2.7kΩ 1/16W J		R568	QRE141J-102Y	C RESISTOR	1kΩ 1/4W J	
R323	NRSA63J-472X	MG RESISTOR	4.7kΩ 1/16W J		R569	NRSA63J-102X	MG RESISTOR	1kΩ 1/16W J	
R333	NRSA63J-102X	MG RESISTOR	1kΩ 1/16W J		R570	NRS181J-102X	MG RESISTOR	1kΩ 1/8W J	
R334	NRSA63J-101X	MG RESISTOR	100Ω 1/16W J		R571	NRS181J-104X	MG RESISTOR	100kΩ 1/8W J	
R336	NRSA63J-222X	MG RESISTOR	2.2kΩ 1/16W J		R573	NRSA63J-124X	MG RESISTOR	120kΩ 1/16W J	
R401	NRSA63J-222X	MG RESISTOR	2.2kΩ 1/16W J		R574	NRSA63J-471X	MG RESISTOR	470Ω 1/16W J	
R403	NRS181J-101X	MG RESISTOR	100Ω 1/8W J		R575	NRSA63J-221X	MG RESISTOR	220Ω 1/16W J	
R404	NRSA63J-473X	MG RESISTOR	47kΩ 1/16W J		R576	NRSA63J-0R0X	MG RESISTOR	0Ω 1/16W J	
R407	NRS181J-273X	MG RESISTOR	27kΩ 1/8W J		R581	NRSA63J-0R0X	MG RESISTOR	0Ω 1/16W J	
R408	NRS181J-273X	MG RESISTOR	27kΩ 1/8W J		R596	NRSA02J-822X	MG RESISTOR	8.2kΩ 1/10W J	
R433	NRSA63J-102X	MG RESISTOR	1kΩ 1/16W J		R701	NRSA63J-102X	MG RESISTOR	1kΩ 1/16W J	
R434	NRSA63J-101X	MG RESISTOR	100Ω 1/16W J		R703	NRSA63J-102X	MG RESISTOR	1kΩ 1/16W J	
R436	NRSA63J-222X	MG RESISTOR	2.2kΩ 1/16W J		R705	NRSA63J-103X	MG RESISTOR	10kΩ 1/16W J	
R501	NRSA02J-220X	MG RESISTOR	22Ω 1/10W J		R708	NRSA63J-822X	MG RESISTOR	8.2kΩ 1/16W J	
R502	NRSA02J-220X	MG RESISTOR	22Ω 1/10W J		R725	NRSA63J-101X	MG RESISTOR	100Ω 1/16W J	
R503	NRS181J-393X	MG RESISTOR	39kΩ 1/8W J		R733	NRSA63J-103X	MG RESISTOR	10kΩ 1/16W J	
R504	NRSA63J-392X	MG RESISTOR	3.9kΩ 1/16W J		R735	NRS181J-152X	MG RESISTOR	1.5kΩ 1/8W J	
R505	NRSA63J-224X	MG RESISTOR	220kΩ 1/16W J		R736	NRSA63J-182X	MG RESISTOR	1.8kΩ 1/16W J	
R506	NRSA63J-563X	MG RESISTOR	56kΩ 1/16W J		R737	NRSA63J-0R0X	MG RESISTOR	0Ω 1/16W J	
					R737	NRSA63J-104X	MG RESISTOR	100kΩ 1/16W J	
					R791	NRSA63J-103X	MG RESISTOR	10kΩ 1/16W J	
					R792	NRSA63J-102X	MG RESISTOR	1kΩ 1/16W J	
					R793	NRSA63J-103X	MG RESISTOR	10kΩ 1/16W J	
					R794	NRSA63J-222X	MG RESISTOR	2.2kΩ 1/16W J	
					R795	NRS181J-120X	MG RESISTOR	12Ω 1/8W J	
					R797	NRS181J-100X	MG RESISTOR	10Ω 1/8W J	
					R798	NRSA63J-223X	MG RESISTOR	22kΩ 1/16W J	
					R801	NRS181J-103X	MG RESISTOR	10kΩ 1/8W J	
					R803	NRS181J-332X	MG RESISTOR	3.3kΩ 1/8W J	
					R804	NRS181J-332X	MG RESISTOR	3.3kΩ 1/8W J	
					R805	NRS181J-332X	MG RESISTOR	3.3kΩ 1/8W J	
					R807	NRS181J-473X	MG RESISTOR	47kΩ 1/8W J	
					R808	NRS181J-102X	MG RESISTOR	1kΩ 1/8W J	
					R809	NRS181J-103X	MG RESISTOR	10kΩ 1/8W J	
					R811	NRSA63J-332X	MG RESISTOR	3.3kΩ 1/16W J	
					R812	NRSA63J-332X	MG RESISTOR	3.3kΩ 1/16W J	
					R813	NRSA63J-473X	MG RESISTOR	47kΩ 1/16W J	
					R814	NRSA63J-473X	MG RESISTOR	47kΩ 1/16W J	

G120J
G120RJ
G123UI
G124UI
G125U
G125UH
G125UN
G125UT
G126U
G126UH
G126UN
G126UT

△ Symbol No.	Part No.	Part Name	Description	Local
R815	NRSA63J-473X	MG RESISTOR	47kΩ 1/16W J	
R817	NRS181J-472X	MG RESISTOR	4.7kΩ 1/8W J	
R818	NRS181J-473X	MG RESISTOR	47kΩ 1/8W J	G120J G123UI G124UI G125U G125UH G125UN G125UT G126U G126UH G126UN G126UT
R820	NRS181J-473X	MG RESISTOR	47kΩ 1/8W J	
R822	NRSA63J-222X	MG RESISTOR	2.2kΩ 1/16W J	
R823	NRSA63J-473X	MG RESISTOR	47kΩ 1/16W J	
R825	NRS181J-203X	MG RESISTOR	20kΩ 1/8W J	
R826	NRSA63J-473X	MG RESISTOR	47kΩ 1/16W J	
R827	NRSA63J-473X	MG RESISTOR	47kΩ 1/16W J	
R828	NRSA63J-473X	MG RESISTOR	47kΩ 1/16W J	
R829	NRS181J-473X	MG RESISTOR	47kΩ 1/8W J	
R830	NRS181J-223X	MG RESISTOR	22kΩ 1/8W J	
R831	NRSA63J-472X	MG RESISTOR	4.7kΩ 1/16W J	
R832	NRS181J-223X	MG RESISTOR	22kΩ 1/8W J	
R833	NRS181J-472X	MG RESISTOR	4.7kΩ 1/8W J	
R834	NRS181J-223X	MG RESISTOR	22kΩ 1/8W J	
R835	NRS181J-472X	MG RESISTOR	4.7kΩ 1/8W J	
R836	NRSA63J-473X	MG RESISTOR	47kΩ 1/16W J	
R837	NRSA63J-103X	MG RESISTOR	10kΩ 1/16W J	
R838	NRSA63J-103X	MG RESISTOR	10kΩ 1/16W J	
R840	NRSA63J-473X	MG RESISTOR	47kΩ 1/16W J	
R841	NRSA63J-473X	MG RESISTOR	47kΩ 1/16W J	
R843	NRSA63J-0R0X	MG RESISTOR	0Ω 1/16W J	
R844	NRSA63J-0R0X	MG RESISTOR	0Ω 1/16W J	
R850	NRS181J-473X	MG RESISTOR	47kΩ 1/8W J	
R851	NRSA63J-103X	MG RESISTOR	10kΩ 1/16W J	G123UI G124UI G125U G125UH G125UN G125UT G126U G126UH G126UN G126UT
R853	NRS181J-473X	MG RESISTOR	47kΩ 1/8W J	
R861	NRS181J-471X	MG RESISTOR	470Ω 1/8W J	
R862	NRS181J-471X	MG RESISTOR	470Ω 1/8W J	
R901	NRSA63J-912X	MG RESISTOR	9.1kΩ 1/16W J	
R902	QRE141J-102Y	C RESISTOR	1kΩ 1/4W J	
R903	NRSA63J-472X	MG RESISTOR	4.7kΩ 1/16W J	
R904	NRSA63J-104X	MG RESISTOR	100kΩ 1/16W J	
R905	NRSA63J-472X	MG RESISTOR	4.7kΩ 1/16W J	
R906	NRSA63J-472X	MG RESISTOR	4.7kΩ 1/16W J	
R907	NRSA63J-393X	MG RESISTOR	39kΩ 1/16W J	
R908	NRSA63J-683X	MG RESISTOR	68kΩ 1/16W J	
R909	NRSA63J-273X	MG RESISTOR	27kΩ 1/16W J	
R910	NRSA63J-473X	MG RESISTOR	47kΩ 1/16W J	
R911	NRS181J-473X	MG RESISTOR	47kΩ 1/8W J	
L501	QQL231K-4R7Y	INDUCTOR I/M	4.7uH K	
L561	QQL231K-4R7Y	INDUCTOR I/M	4.7uH K	
L562	QQL231K-4R7Y	INDUCTOR I/M	4.7uH K	
L701	QQL231K-4R7Y	INDUCTOR I/M	4.7uH K	
L801	QQL231K-4R7Y	INDUCTOR I/M	4.7uH K	
L901	QQR1695-001	CHOKE COIL		
CJ321	QNN0519-001	PIN JACK		
CJ701	QNB0190-001	CAR ANT JACK		
CN501	QGB2027M4-22S	CONNECTOR	B-B (1-22)	
CN801	QGZ1601J1-15	CONNECTOR	(1-15)	
CN901	QNZ0611-001	16P CONNECTOR		
△ TU701	QAU0312-002	TUNER PACK		
X561	QAX0714-001Z	C RESONATOR	16.000MHz	
X801	QAX0406-001Z	CRYSTAL	4.500MHz	

Main board (KD-G161,G162)

Block No. [0][2]

△ Symbol No.	Part No.	Part Name	Description	Local
△ IC71	LC72725NM-X	IC		
IC171	NJW1192V-X	IC		
△ IC301	LA4743K	POWER IC		
△ IC501	LA6242H-X	IC		
△ IC521	MN6627551CB	IC		
IC581	NJM4565E-X	IC		
△ IC701	MN101C77FSA	IC		
IC702	PST9121N-X	IC		
IC703	BR24L16F-W-X	IC		
IC704	NJU7241F33-X	IC		
△ IC901	AN80T71	REGULATOR IC		
Q71	RT1N141C-X	DIGI TRANSISTOR		
Q301	2SC3928A/QR/-X	TRANSISTOR		
Q341	KTD1304-X	TRANSISTOR		
Q351	KTD1304-X	TRANSISTOR		
Q501	2SB1322/RS-T	TRANSISTOR		
Q521	2SA1530A/QR/-X	TRANSISTOR		
Q701	RT1N141C-X	DIGI TRANSISTOR		
Q702	RT1N141C-X	DIGI TRANSISTOR		
Q703	RT1N141C-X	DIGI TRANSISTOR		
Q781	RT1P141C-X	DIGI TRANSISTOR		
Q782	RT1P141C-X	DIGI TRANSISTOR		
Q891	RT1N141C-X	DIGI TRANSISTOR		
Q901	2SA1530A/QR/-X	TRANSISTOR		
Q902	RT1N141C-X	DIGI TRANSISTOR		
Q903	RT1N141C-X	DIGI TRANSISTOR		
Q904	2SA1530A/QR/-X	TRANSISTOR		
Q911	2SA1530A/QR/-X	TRANSISTOR		
Q912	RT1N441C-X	TRANSISTOR		
D1	1SS355W-X	DIODE C.M		
D2	1SS355W-X	DIODE C.M		
D301	UDZS3.3B-X	Z DIODE		
D341	1SS355W-X	DIODE C.M		
D351	1SS355W-X	DIODE C.M		
D501	1A3G-T1	SI DIODE		
D701	UDZW6.2B-X	SI DIODE		
D702	UDZW6.2B-X	SI DIODE		
D703	UDZW6.2B-X	SI DIODE		
D704	UDZW6.2B-X	SI DIODE		
D705	UDZW6.2B-X	SI DIODE		
D706	UDZW6.2B-X	SI DIODE		
D707	UDZW6.2B-X	SI DIODE		
D708	UDZW6.2B-X	SI DIODE		
D709	UDZW6.2B-X	SI DIODE		
D710	1SS355W-X	DIODE C.M		
D712	UDZW6.2B-X	SI DIODE		
D713	1SS355W-X	DIODE C.M		
D781	CRS03-W	SB DIODE		
D782	UDZW11B-X	Z DIODE		
D891	MC2836-X	DIODE		
△ D901	1N5401-F64	DIODE		
D903	1SS355W-X	DIODE C.M		
D904	CRS03-W	SB DIODE		
D906	1SS355W-X	DIODE C.M		
D971	CRS03-W	SB DIODE		
C1	NCB31EK-104X	C CAPACITOR	0.1uF 25V K	
C4	NCB31EK-104X	C CAPACITOR	0.1uF 25V K	
C5	QEKJ0JM-476Z	E CAPACITOR	47uF 6.3V M	
C6	NCB31EK-104X	C CAPACITOR	0.1uF 25V K	
C7	QEKJ1AM-227Z	E CAPACITOR	220uF 10V M	
C8	NCB31EK-104X	C CAPACITOR	0.1uF 25V K	
C71	QEKJ1CM-106Z	E CAPACITOR	10uF 16V M	
C72	NDC31HJ-331X	C CAPACITOR	330pF 50V J	
C73	NCB31HK-103X	C CAPACITOR	0.01uF 50V K	
C74	NDC31HJ-561X	C CAPACITOR	560pF 50V J	
C75	QEKJ0JM-476Z	E CAPACITOR	47uF 6.3V M	
C76	NCB31HK-103X	C CAPACITOR	0.01uF 50V K	
C77	NDC31HJ-330X	C CAPACITOR	33pF 50V J	
C78	NDC31HJ-330X	C CAPACITOR	33pF 50V J	
C82	QTE1E57-475Z	E CAPACITOR	4.7uF 25V	
C84	QTE1E57-475Z	E CAPACITOR	4.7uF 25V	

△ Symbol No.	Part No.	Part Name	Description	Local	△ Symbol No.	Part No.	Part Name	Description	Local
C85	NCB31AK-224X	C CAPACITOR	0.22uF 10V K		C544	NCB31EK-823X	C CAPACITOR	0.082uF 25V K	
C92	QTE1E57-475Z	E CAPACITOR	4.7uF 25V		C545	NCB31EK-104X	C CAPACITOR	0.1uF 25V K	
C94	QTE1E57-475Z	E CAPACITOR	4.7uF 25V		C546	QEKJ0JM-227Z	E CAPACITOR	220uF 6.3V M	
C161	NCB31HK-471X	C CAPACITOR	470pF 50V K		C547	QTE0J57-476Z	E CAPACITOR	47uF 6.3V	
C162	NCB31AK-154X	C CAPACITOR	0.15uF 10V K		C548	QTE0J57-476Z	E CAPACITOR	47uF 6.3V	
C163	NCB31HK-472X	C CAPACITOR	4700pF 50V K		C549	NDC31HJ-101X	C CAPACITOR	100pF 50V J	
C164	NCB31EK-104X	C CAPACITOR	0.1uF 25V K		C550	NCB31EK-104X	C CAPACITOR	0.1uF 25V K	
C165	QEKJ1EM-475Z	E CAPACITOR	4.7uF 25V M		C551	NCB31EK-104X	C CAPACITOR	0.1uF 25V K	
C167	QTE1E57-475Z	E CAPACITOR	4.7uF 25V		C552	NCB31EK-104X	C CAPACITOR	0.1uF 25V K	
C168	QEKJ1CM-226Z	E CAPACITOR	22uF 16V M		C553	QEKJ0JM-476Z	E CAPACITOR	47uF 6.3V M	
C169	QEKJ1EM-475Z	E CAPACITOR	4.7uF 25V M		C583	NDC31HJ-821X	C CAPACITOR	820pF 50V J	
C171	NCB31HK-471X	C CAPACITOR	470pF 50V K		C584	NDC31HJ-821X	C CAPACITOR	820pF 50V J	
C172	NCB31AK-154X	C CAPACITOR	0.15uF 10V K		C585	QTE1H54-225Z	E CAPACITOR	2.2uF 50V	
C173	NCB31HK-472X	C CAPACITOR	4700pF 50V K		C586	QTE1H54-225Z	E CAPACITOR	2.2uF 50V	
C174	NCB31EK-104X	C CAPACITOR	0.1uF 25V K		C587	NDC31HJ-101X	C CAPACITOR	100pF 50V J	
C175	QEKJ1EM-475Z	E CAPACITOR	4.7uF 25V M		C588	NDC31HJ-101X	C CAPACITOR	100pF 50V J	
C177	QTE1E57-475Z	E CAPACITOR	4.7uF 25V		C589	QTE0J57-476Z	E CAPACITOR	47uF 6.3V	
C178	QEKJ1CM-226Z	E CAPACITOR	22uF 16V M		C591	QTE1A57-107Z	E CAPACITOR	100uF 10V	
C179	QEKJ1EM-475Z	E CAPACITOR	4.7uF 25V M		C592	NCB31EK-104X	C CAPACITOR	0.1uF 25V K	
C180	QFV91HJ-474Z	MF CAPACITOR	0.47uF 50V J		C701	NCB31EK-104X	C CAPACITOR	0.1uF 25V K	
C181	QFV91HJ-474Z	MF CAPACITOR	0.47uF 50V J		C702	NCB31EK-104X	C CAPACITOR	0.1uF 25V K	
C182	QFV91HJ-474Z	MF CAPACITOR	0.47uF 50V J		C705	NDC31HJ-180X	C CAPACITOR	18pF 50V J	
C183	QFV91HJ-474Z	MF CAPACITOR	0.47uF 50V J		C706	NDC31HJ-180X	C CAPACITOR	18pF 50V J	
C184	QTE1C57-106Z	E CAPACITOR	10uF 16V		C707	NCB31EK-473X	C CAPACITOR	0.047uF 25V K	
C185	QTE1A57-107Z	E CAPACITOR	100uF 10V		C708	NCB31EK-333X	C CAPACITOR	0.033uF 25V K	
C186	NCB31AK-154X	C CAPACITOR	0.15uF 10V K		C709	QERF0JM-337Z	E CAPACITOR	330uF 6.3V M	
C187	NCB31AK-154X	C CAPACITOR	0.15uF 10V K		C710	NCB31AK-154X	C CAPACITOR	0.15uF 10V K	
C301	QEKJ1HM-335Z	E CAPACITOR	3.3uF 50V M		C711	NCB31EK-104X	C CAPACITOR	0.1uF 25V K	
C302	QEKJ1HM-335Z	E CAPACITOR	3.3uF 50V M		C712	NCB31EK-104X	C CAPACITOR	0.1uF 25V K	
C303	NCB31HK-223X	C CAPACITOR	0.022uF 50V K		C713	NCB31EK-104X	C CAPACITOR	0.1uF 25V K	
C304	NCB31HK-223X	C CAPACITOR	0.022uF 50V K		C715	NCB31HK-103X	C CAPACITOR	0.01uF 50V K	
C305	NCB31EK-104X	C CAPACITOR	0.1uF 25V K		C716	QEKJ0JM-476Z	E CAPACITOR	47uF 6.3V M	
C306	NCB31EK-104X	C CAPACITOR	0.1uF 25V K		C718	QEKJ1CM-106Z	E CAPACITOR	10uF 16V M	
C307	NCB31EK-104X	C CAPACITOR	0.1uF 25V K		C721	NCB31EK-104X	C CAPACITOR	0.1uF 25V K	
C308	NCB31EK-104X	C CAPACITOR	0.1uF 25V K		C722	QEKJ1CM-106Z	E CAPACITOR	10uF 16V M	
C309	QEKJ1CM-107Z	E CAPACITOR	100uF 16V M		C781	QEKJ0JM-227Z	E CAPACITOR	220uF 6.3V M	
C310	QTE1C57-476Z	E CAPACITOR	47uF 16V		C782	QEKJ1CM-476Z	E CAPACITOR	47uF 16V M	
C311	QEKJ1CM-226Z	E CAPACITOR	22uF 16V M		C783	NCB31CK-823X	C CAPACITOR	0.082uF 16V K	
C312	NDC31HJ-101X	C CAPACITOR	100pF 50V J		C891	NCB31EK-104X	C CAPACITOR	0.1uF 25V K	
C313	NDC31HJ-101X	C CAPACITOR	100pF 50V J		C901	QE20645-228	E CAPACITOR	2200uF	
C314	NDC31HJ-101X	C CAPACITOR	100pF 50V J		C902	NCB31HK-103X	C CAPACITOR	0.01uF 50V K	
C315	NDC31HJ-101X	C CAPACITOR	100pF 50V J		C903	QEKJ1CM-226Z	E CAPACITOR	22uF 16V M	
C316	NCB31HK-123X	C CAPACITOR	0.012uF 50V K		C904	QEKJ1CM-226Z	E CAPACITOR	22uF 16V M	
C319	NCB31HK-223X	C CAPACITOR	0.022uF 50V K		C905	QEKJ1AM-227Z	E CAPACITOR	220uF 10V M	
C341	NDC31HJ-101X	C CAPACITOR	100pF 50V J		C906	NCB31EK-104X	C CAPACITOR	0.1uF 25V K	
C351	NDC31HJ-101X	C CAPACITOR	100pF 50V J		C907	NCB31HK-103X	C CAPACITOR	0.01uF 50V K	
C501	QEKJ0JM-227Z	E CAPACITOR	220uF 6.3V M		C908	QEKJ1AM-107Z	E CAPACITOR	100uF 10V M	
C503	QEKJ1AM-227Z	E CAPACITOR	220uF 10V M		C909	QEKJ1AM-107Z	E CAPACITOR	100uF 10V M	
C504	NCB31EK-104X	C CAPACITOR	0.1uF 25V K		C910	NCB31HK-103X	C CAPACITOR	0.01uF 50V K	
C506	NCB31HK-103X	C CAPACITOR	0.01uF 50V K		C915	QEKJ1CM-106Z	E CAPACITOR	10uF 16V M	
C511	NCB31HK-222X	C CAPACITOR	2200pF 50V K		C916	QEKJ1HM-225Z	E CAPACITOR	2.2uF 50V M	
C512	NDC31HJ-820X	C CAPACITOR	82pF 50V J		C919	QERF0JM-337Z	E CAPACITOR	330uF 6.3V M	
C513	NCB31HK-682X	C CAPACITOR	6800pF 50V K		C971	NCB31EK-104X	C CAPACITOR	0.1uF 25V K	
C515	NCB31HK-122X	C CAPACITOR	1200pF 50V K		R1	NRSA63J-473X	MG RESISTOR	47kΩ 1/16W J	
C517	NCB31HK-182X	C CAPACITOR	1800pF 50V K		R2	NRS181J-120X	MG RESISTOR	12Ω 1/8W J	
C518	NDC31HJ-680X	C CAPACITOR	68pF 50V J		R3	NRS181J-120X	MG RESISTOR	12Ω 1/8W J	
C521	NCB31EK-104X	C CAPACITOR	0.1uF 25V K		R4	NRSA63J-101X	MG RESISTOR	100Ω 1/16W J	
C522	NCB31AK-334X	C CAPACITOR	0.33uF 10V K		R5	NRSA63J-101X	MG RESISTOR	100Ω 1/16W J	
C524	NDC31HJ-561X	C CAPACITOR	560pF 50V J		R6	NRSA63J-332X	MG RESISTOR	3.3kΩ 1/16W J	
C525	NCB31HK-223X	C CAPACITOR	0.022uF 50V K		R7	NRSA63J-102X	MG RESISTOR	1kΩ 1/16W J	
C526	NCB31HK-223X	C CAPACITOR	0.022uF 50V K		R8	NRSA63J-102X	MG RESISTOR	1kΩ 1/16W J	
C527	NCB31HK-332X	C CAPACITOR	3300pF 50V K		R9	NRSA63D-333X	MG RESISTOR	33kΩ 1/16W D	
C528	NDC31HJ-181X	C CAPACITOR	180pF 50V J		R10	NRSA63D-683X	MG RESISTOR	68kΩ 1/16W D	
C529	NCB31HK-822X	C CAPACITOR	8200pF 50V K		R75	NRSA63J-0R0X	MG RESISTOR	0Ω 1/16W J	
C530	NCB31HK-822X	C CAPACITOR	8200pF 50V K		R81	NRSA63J-153X	MG RESISTOR	15kΩ 1/16W J	
C531	NCB31AK-334X	C CAPACITOR	0.33uF 10V K		R82	NRSA63J-682X	MG RESISTOR	6.8kΩ 1/16W J	
C532	NCB31AK-334X	C CAPACITOR	0.33uF 10V K		R91	NRSA63J-153X	MG RESISTOR	15kΩ 1/16W J	
C533	QEKJ0JM-107Z	E CAPACITOR	100uF 6.3V M		R92	NRSA63J-682X	MG RESISTOR	6.8kΩ 1/16W J	
C534	NCB31HK-332X	C CAPACITOR	3300pF 50V K		R160	NRSA63J-150X	MG RESISTOR	15Ω 1/16W J	
C535	NCB31EK-104X	C CAPACITOR	0.1uF 25V K		R162	NRSA63J-393X	MG RESISTOR	39kΩ 1/16W J	
C536	QEKJ0JM-476Z	E CAPACITOR	47uF 6.3V M		R163	NRSA63J-472X	MG RESISTOR	4.7kΩ 1/16W J	
C537	QEKJ0JM-476Z	E CAPACITOR	47uF 6.3V M		R164	NRSA63J-222X	MG RESISTOR	2.2kΩ 1/16W J	
C538	QEKJ0JM-476Z	E CAPACITOR	47uF 6.3V M		R168	NRSA63J-473X	MG RESISTOR	47kΩ 1/16W J	
C539	NCB31EK-104X	C CAPACITOR	0.1uF 25V K		R172	NRSA63J-393X	MG RESISTOR	39kΩ 1/16W J	
C540	NCS31HJ-681X	C CAPACITOR	680pF 50V J		R173	NRSA63J-472X	MG RESISTOR	4.7kΩ 1/16W J	
C541	NCB31EK-153X	C CAPACITOR	0.015uF 25V K		R174	NRSA63J-222X	MG RESISTOR	2.2kΩ 1/16W J	
C542	NCB31EK-104X	C CAPACITOR	0.1uF 25V K		R178	NRSA63J-473X	MG RESISTOR	47kΩ 1/16W J	
C543	NCB31HK-102X	C CAPACITOR	1000pF 50V K						

△ Symbol No.	Part No.	Part Name	Description	Local	△ Symbol No.	Part No.	Part Name	Description	Local
R180	NRSA63J-273X	MG RESISTOR	27kΩ 1/16W J		R710	NRSA63J-0R0X	MG RESISTOR	0Ω 1/16W J	
R181	NRSA63J-273X	MG RESISTOR	27kΩ 1/16W J		R711	NRSA63J-0R0X	MG RESISTOR	0Ω 1/16W J	
R182	NRSA63J-273X	MG RESISTOR	27kΩ 1/16W J		R713	NRSA63J-103X	MG RESISTOR	10kΩ 1/16W J	
R183	NRSA63J-273X	MG RESISTOR	27kΩ 1/16W J		R714	NRSA63J-562X	MG RESISTOR	5.6kΩ 1/16W J	
R190	NRSA63J-101X	MG RESISTOR	100Ω 1/16W J		R715	NRSA63J-473X	MG RESISTOR	47kΩ 1/16W J	
R191	NRSA63J-101X	MG RESISTOR	100Ω 1/16W J		R716	NRSA63J-103X	MG RESISTOR	10kΩ 1/16W J	
R301	NRSA63J-152X	MG RESISTOR	1.5kΩ 1/16W J		R717	NRSA63J-152X	MG RESISTOR	1.5kΩ 1/16W J	
R302	NRSA63J-473X	MG RESISTOR	47kΩ 1/16W J		R718	NRSA63J-473X	MG RESISTOR	47kΩ 1/16W J	
R303	NRSA63J-101X	MG RESISTOR	100Ω 1/16W J		R719	NRSA63J-103X	MG RESISTOR	10kΩ 1/16W J	
R304	NRSA63J-472X	MG RESISTOR	4.7kΩ 1/16W J		R720	NRSA63J-273X	MG RESISTOR	27kΩ 1/16W J	
R341	NRSA63J-821X	MG RESISTOR	820Ω 1/16W J		R721	NRSA63J-101X	MG RESISTOR	100Ω 1/16W J	
R342	NRSA63J-102X	MG RESISTOR	1kΩ 1/16W J		R722	NRSA63J-473X	MG RESISTOR	47kΩ 1/16W J	
R343	NRSA63J-101X	MG RESISTOR	100Ω 1/16W J		R723	NRS181J-104X	MG RESISTOR	100kΩ 1/8W J	
R351	NRSA63J-821X	MG RESISTOR	820Ω 1/16W J		R724	NRS181J-104X	MG RESISTOR	100kΩ 1/8W J	
R352	NRSA63J-102X	MG RESISTOR	1kΩ 1/16W J		R725	NRS181J-104X	MG RESISTOR	100kΩ 1/8W J	
R353	NRSA63J-101X	MG RESISTOR	100Ω 1/16W J		R726	NRSA63J-104X	MG RESISTOR	100kΩ 1/16W J	
R500	NRS181J-220X	MG RESISTOR	22Ω 1/8W J		R727	NRSA63J-101X	MG RESISTOR	100Ω 1/16W J	
R501	NRSA63J-822X	MG RESISTOR	8.2kΩ 1/16W J		R728	NRSA63J-101X	MG RESISTOR	100Ω 1/16W J	
R502	NRSA63J-822X	MG RESISTOR	8.2kΩ 1/16W J		R729	NRSA63J-472X	MG RESISTOR	4.7kΩ 1/16W J	
R503	NRSA63J-512X	MG RESISTOR	5.1kΩ 1/16W J		R730	NRSA63J-472X	MG RESISTOR	4.7kΩ 1/16W J	
R505	NRSA63J-113X	MG RESISTOR	11kΩ 1/16W J		R731	NRSA63J-101X	MG RESISTOR	100Ω 1/16W J	
R506	NRSA63J-103X	MG RESISTOR	10kΩ 1/16W J		R732	NRSA63J-101X	MG RESISTOR	100Ω 1/16W J	
R507	NRSA63J-153X	MG RESISTOR	15kΩ 1/16W J		R735	NRS181J-102X	MG RESISTOR	1kΩ 1/8W J	
R508	NRSA63J-332X	MG RESISTOR	3.3kΩ 1/16W J		R736	NRS181J-222X	MG RESISTOR	2.2kΩ 1/8W J	
R509	NRSA63J-104X	MG RESISTOR	100kΩ 1/16W J		R737	NRS181J-104X	MG RESISTOR	100kΩ 1/8W J	
R510	NRSA63J-273X	MG RESISTOR	27kΩ 1/16W J		R740	NRSA63J-332X	MG RESISTOR	3.3kΩ 1/16W J	
R511	NRSA63J-153X	MG RESISTOR	15kΩ 1/16W J		R742	NRSA63J-101X	MG RESISTOR	100Ω 1/16W J	
R512	NRSA63J-562X	MG RESISTOR	5.6kΩ 1/16W J		R745	NRSA63J-473X	MG RESISTOR	47kΩ 1/16W J	
R513	NRSA63J-103X	MG RESISTOR	10kΩ 1/16W J		R748	NRSA63J-472X	MG RESISTOR	4.7kΩ 1/16W J	
R514	NRSA63J-562X	MG RESISTOR	5.6kΩ 1/16W J		R749	NRSA63J-103X	MG RESISTOR	10kΩ 1/16W J	
R515	NRSA63J-153X	MG RESISTOR	15kΩ 1/16W J		R750	NRSA63J-472X	MG RESISTOR	4.7kΩ 1/16W J	
R516	NRSA63J-102X	MG RESISTOR	1kΩ 1/16W J		R751	NRSA63J-103X	MG RESISTOR	10kΩ 1/16W J	
R517	NRSA63J-153X	MG RESISTOR	15kΩ 1/16W J		R752	NRSA63J-472X	MG RESISTOR	4.7kΩ 1/16W J	
R518	NRSA63J-562X	MG RESISTOR	5.6kΩ 1/16W J		R753	NRSA63J-103X	MG RESISTOR	10kΩ 1/16W J	
R519	NRSA63J-203X	MG RESISTOR	20kΩ 1/16W J		R754	NRSA63J-472X	MG RESISTOR	4.7kΩ 1/16W J	
R520	NRS181J-220X	MG RESISTOR	22Ω 1/8W J		R755	NRSA63J-472X	MG RESISTOR	4.7kΩ 1/16W J	
R522	NRSA63J-0R0X	MG RESISTOR	0Ω 1/16W J		R756	NRSA63J-271X	MG RESISTOR	270Ω 1/16W J	
R524	NRS181J-102X	MG RESISTOR	1kΩ 1/8W J		R757	NRSA63J-271X	MG RESISTOR	270Ω 1/16W J	
R525	NRS181J-102X	MG RESISTOR	1kΩ 1/8W J		R758	NRSA63J-222X	MG RESISTOR	2.2kΩ 1/16W J	
R526	NRS181J-102X	MG RESISTOR	1kΩ 1/8W J		R759	NRSA63J-473X	MG RESISTOR	47kΩ 1/16W J	
R527	NRS181J-102X	MG RESISTOR	1kΩ 1/8W J		R760	NRSA63J-101X	MG RESISTOR	100Ω 1/16W J	
R528	NRS181J-102X	MG RESISTOR	1kΩ 1/8W J		R762	NRSA63J-471X	MG RESISTOR	470Ω 1/16W J	
R529	NRS181J-102X	MG RESISTOR	1kΩ 1/8W J		R763	NRSA63J-102X	MG RESISTOR	1kΩ 1/16W J	
R535	NRSA63J-103X	MG RESISTOR	10kΩ 1/16W J		R766	NRS181J-682X	MG RESISTOR	6.8kΩ 1/8W J	
R538	NRSA63J-0R0X	MG RESISTOR	0Ω 1/16W J		R767	NRSA63J-0R0X	MG RESISTOR	0Ω 1/16W J	
R539	NRSA63J-0R0X	MG RESISTOR	0Ω 1/16W J		R768	NRSA63J-222X	MG RESISTOR	2.2kΩ 1/16W J	
R540	NRSA63J-303X	MG RESISTOR	30kΩ 1/16W J		R769	NRSA63J-222X	MG RESISTOR	2.2kΩ 1/16W J	
R541	NRSA63J-393X	MG RESISTOR	39kΩ 1/16W J		R770	NRSA63J-222X	MG RESISTOR	2.2kΩ 1/16W J	
R542	NRSA63J-472X	MG RESISTOR	4.7kΩ 1/16W J		R891	NRSA63J-473X	MG RESISTOR	47kΩ 1/16W J	
R543	NRS181J-102X	MG RESISTOR	1kΩ 1/8W J		R892	NRSA63J-102X	MG RESISTOR	1kΩ 1/16W J	
R544	NRS181J-102X	MG RESISTOR	1kΩ 1/8W J		R901	NRSA63J-912X	MG RESISTOR	9.1kΩ 1/16W J	
R545	NRSA63J-332X	MG RESISTOR	3.3kΩ 1/16W J		R902	QRE141J-102Y	C RESISTOR	1kΩ 1/4W J	
R548	NRSA63J-332X	MG RESISTOR	3.3kΩ 1/16W J		R903	NRSA63J-472X	MG RESISTOR	4.7kΩ 1/16W J	
R552	NRSA63J-104X	MG RESISTOR	100kΩ 1/16W J		R905	NRSA63J-472X	MG RESISTOR	4.7kΩ 1/16W J	
R553	NRS181J-0R0X	MG RESISTOR	0Ω 1/8W J		R906	NRSA63J-473X	MG RESISTOR	47kΩ 1/16W J	
R554	NRSA63J-4R7X	MG RESISTOR	4.7Ω 1/16W J		R907	NRSA63J-681X	MG RESISTOR	680Ω 1/16W J	
R556	NRSA63J-473X	MG RESISTOR	47kΩ 1/16W J		R908	NRSA63J-681X	MG RESISTOR	680Ω 1/16W J	
R558	NRSA63J-823X	MG RESISTOR	82kΩ 1/16W J		R909	NRSA63J-473X	MG RESISTOR	47kΩ 1/16W J	
R559	NRSA63J-821X	MG RESISTOR	820Ω 1/16W J		R910	NRSA63J-272X	MG RESISTOR	2.7kΩ 1/16W J	
R565	NRSA63J-151X	MG RESISTOR	150Ω 1/16W J		R911	NRSA63J-243X	MG RESISTOR	24kΩ 1/16W J	
R566	NRS181J-0R0X	MG RESISTOR	0Ω 1/8W J		R912	NRSA63J-393X	MG RESISTOR	39kΩ 1/16W J	
R568	NRSA63J-0R0X	MG RESISTOR	0Ω 1/16W J		R971	NRS181J-222X	MG RESISTOR	2.2kΩ 1/8W J	
R583	NRSA63J-153X	MG RESISTOR	15kΩ 1/16W J		R972	NRS181J-222X	MG RESISTOR	2.2kΩ 1/8W J	
R584	NRSA63J-153X	MG RESISTOR	15kΩ 1/16W J		L1	QQL801K-4R7Y	COIL	4.7uH K	
R585	NRSA63J-103X	MG RESISTOR	10kΩ 1/16W J		L701	QQL801K-4R7Y	COIL	4.7uH K	
R586	NRSA63J-103X	MG RESISTOR	10kΩ 1/16W J		L901	QQR0703-001	CHOKE COIL		
R587	NRSA63J-303X	MG RESISTOR	30kΩ 1/16W J		CN501	QGB2027M4-22S	CONNECTOR	B-B (1-22)	
R588	NRSA63J-303X	MG RESISTOR	30kΩ 1/16W J		CN701	QGZ1601J1-15	CONNECTOR	(1-15)	
R589	NRSA63J-152X	MG RESISTOR	1.5kΩ 1/16W J		CN901	QNZ0611-001	16P CONNECTOR		
R590	NRSA63J-152X	MG RESISTOR	1.5kΩ 1/16W J		J1	QNB0190-001	CAR ANT JACK		
R591	NRSA63J-223X	MG RESISTOR	22kΩ 1/16W J		J321	QNN0519-001	PIN JACK		
R592	NRSA63J-104X	MG RESISTOR	100kΩ 1/16W J		S701	QSW1049-001Z	TACT SW		
R593	NRSA63J-223X	MG RESISTOR	22kΩ 1/16W J		△ TU1	QAU0443-001	TUNER		
R594	NRS181J-104X	MG RESISTOR	100kΩ 1/8W J		X71	QAX0263-001Z	CRYSTAL	4.332MHz	
R595	NRS181J-220X	MG RESISTOR	22Ω 1/8W J		X521	QAX0893-001Z	CRYSTAL		
R707	NRSA63J-682X	MG RESISTOR	6.8kΩ 1/16W J		X701	QAX0667-001Z	C RESONATOR	8.000MHz	
R708	NRSA63J-332X	MG RESISTOR	3.3kΩ 1/16W J						
R709	NRSA63J-473X	MG RESISTOR	47kΩ 1/16W J						

Symbol No.	Part No.	Part Name	Description	Local
X702	QAX0401-001	CRYSTAL	32.768KHz	

Switch board (KD-G120,G120R,G123,G124,G125,G126)

Block No. [0][3]

Symbol No.	Part No.	Part Name	Description	Local
IC661	PT6523LQ-L	LCD DRIVER		
IC681	RPM7338-V4	RM.RECEIVER		G120RJ
D630	SML-310LT/MN/-X	LED		
D631	SML-310VT/JK/-X	LED		
D633	SML-310VT/JK/-X	LED		
D635	SML-310VT/JK/-X	LED		
D636	SML-310VT/JK/-X	LED		
D637	SML-310VT/JK/-X	LED		
D638	SML-310VT/JK/-X	LED		
D639	SML-310VT/JK/-X	LED		
D640	SML-310VT/JK/-X	LED		
D641	SML-310VT/JK/-X	LED		
D642	SML-310VT/JK/-X	LED		
D643	SML-310VT/JK/-X	LED		
D644	SML-310VT/JK/-X	LED		
D645	SML-310VT/JK/-X	LED		
D646	SML-310VT/JK/-X	LED		
D647	SML-310VT/JK/-X	LED		
D648	SML-310VT/JK/-X	LED		
D649	SML-310VT/JK/-X	LED		
D652	NSPW310BS/BRST/	WHITE LED		
D653	NSPW310BS/BRST/	WHITE LED		
D661	1SS355W-X	DIODE C.M		
D662	UDZW5.1B-X	SI DIODE		
D681	MA8062/M/-X	Z DIODE		G120RJ
C661	NBE20JM-106X	TA E CAPACITOR	10uF 6.3V M	
C662	NDC31HJ-681X	C CAPACITOR	680pF 50V J	
C663	NCB31HK-223X	C CAPACITOR	0.022uF 50V K	
C681	NBE20JM-475X	TA E CAPACITOR	4.7uF 6.3V M	G120RJ
C682	NCB31HK-123X	C CAPACITOR	0.012uF 50V K	G120RJ
C686	NCB31HK-223X	C CAPACITOR	0.022uF 50V K	
C687	NCB31HK-223X	C CAPACITOR	0.022uF 50V K	
R601	NRSA63J-681X	MG RESISTOR	680Ω 1/16W J	
R602	NRSA63J-561X	MG RESISTOR	560Ω 1/16W J	
R603	NRSA63J-681X	MG RESISTOR	680Ω 1/16W J	
R604	NRSA63J-911X	MG RESISTOR	910Ω 1/16W J	
R605	NRSA63J-122X	MG RESISTOR	1.2kΩ 1/16W J	
R606	NRSA63J-681X	MG RESISTOR	680Ω 1/16W J	
R607	NRSA63J-561X	MG RESISTOR	560Ω 1/16W J	
R608	NRSA63J-681X	MG RESISTOR	680Ω 1/16W J	
R609	NRSA63J-911X	MG RESISTOR	910Ω 1/16W J	
R610	NRSA63J-122X	MG RESISTOR	1.2kΩ 1/16W J	
R611	NRSA63J-681X	MG RESISTOR	680Ω 1/16W J	
R612	NRSA63J-561X	MG RESISTOR	560Ω 1/16W J	
R613	NRSA63J-681X	MG RESISTOR	680Ω 1/16W J	
R630	NRSA63J-821X	MG RESISTOR	820Ω 1/16W J	
R631	NRSA63J-471X	MG RESISTOR	470Ω 1/16W J	
R633	NRSA63J-471X	MG RESISTOR	470Ω 1/16W J	
R637	NRSA63J-331X	MG RESISTOR	330Ω 1/16W J	
R639	NRSA63J-331X	MG RESISTOR	330Ω 1/16W J	
R641	NRSA63J-331X	MG RESISTOR	330Ω 1/16W J	
R643	NRSA63J-471X	MG RESISTOR	470Ω 1/16W J	
R645	NRSA63J-471X	MG RESISTOR	470Ω 1/16W J	
R649	NRS181J-361X	MG RESISTOR	360Ω 1/8W J	
R650	NRS181J-361X	MG RESISTOR	360Ω 1/8W J	
R661	NRSA63J-222X	MG RESISTOR	2.2kΩ 1/16W J	
R662	NRSA63J-222X	MG RESISTOR	2.2kΩ 1/16W J	
R663	NRSA63J-184X	MG RESISTOR	180kΩ 1/16W J	
R664	NRSA63J-103X	MG RESISTOR	10kΩ 1/16W J	
R665	NRSA63J-513X	MG RESISTOR	51kΩ 1/16W J	
R666	NRSA63J-103X	MG RESISTOR	10kΩ 1/16W J	
R667	NRSA63J-103X	MG RESISTOR	10kΩ 1/16W J	

Symbol No.	Part No.	Part Name	Description	Local
R668	NRSA63J-103X	MG RESISTOR	10kΩ 1/16W J	
R670	NRS181J-0R0X	MG RESISTOR	0Ω 1/8W J	
R681	NRSA63J-471X	MG RESISTOR	470Ω 1/16W J	G120RJ
R682	NRSA63J-103X	MG RESISTOR	10kΩ 1/16W J	G120RJ
R686	NRSA63J-101X	MG RESISTOR	100Ω 1/16W J	

Symbol No.	Part No.	Part Name	Description	Local
CJ601	QGZ1601K1-15S	CONNECTOR	(1-15)	
JS686	QSW0976-001	ROTARY ENCODER		
S601	NSW0124-001X	TACT SW		
S602	NSW0124-001X	TACT SW		
S603	NSW0124-001X	TACT SW		
S604	NSW0124-001X	TACT SW		
S605	NSW0124-001X	TACT SW		
S606	NSW0124-001X	TACT SW		
S607	NSW0124-001X	TACT SW		
S608	NSW0124-001X	TACT SW		
S609	NSW0124-001X	TACT SW		
S610	NSW0124-001X	TACT SW		
S611	NSW0124-001X	TACT SW		
S612	NSW0124-001X	TACT SW		
S613	NSW0124-001X	TACT SW		
S614	NSW0124-001X	TACT SW		
S615	NSW0124-001X	TACT SW		
S616	NSW0124-001X	TACT SW		

Switch board (KD-G161,G162)

Block No. [0][4]

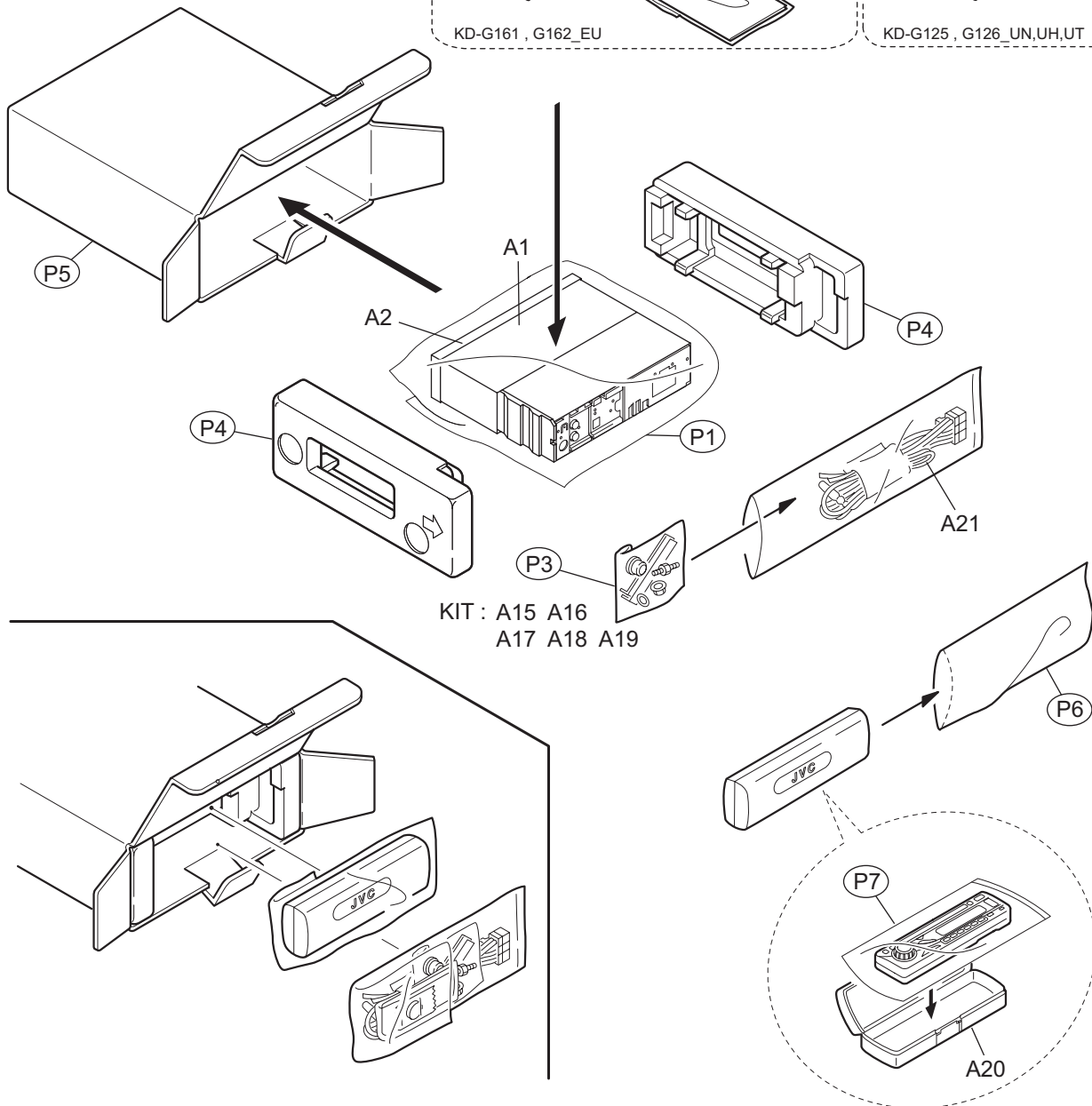
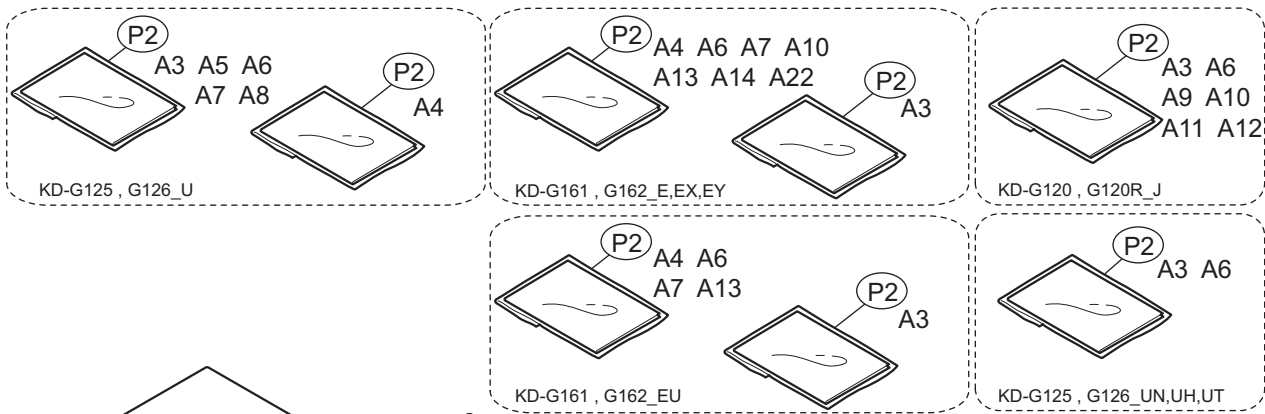
Symbol No.	Part No.	Part Name	Description	Local
IC661	PT6523LQ-L	LCD DRIVER		
D630	SML-310LT/MN/-X	LED		
D631	LNJ308G81/1-3/X	LED		G161E G161EU G161EX G161EY G162E G162EU G162EX G162EY
D631	SML-310VT/JK/-X	LED		G161E G161EU G161EX G161EY
D632	LNJ308G81/1-3/X	LED		G161E G161EU G161EX G161EY G162E G162EU G162EX G162EY
D633	SML-310VT/JK/-X	LED		G161E G161EU G161EX G161EY G162E G162EU G162EX G162EY
D634	LNJ308G81/1-3/X	LED		G161E G161EU G161EX G161EY
D635	LNJ308G81/1-3/X	LED		G161E G161EU G161EX G161EY G162E G162EU G162EX G162EY
D635	SML-310VT/JK/-X	LED		G161E G161EU G161EX G161EY G162E G162EU G162EX G162EY
D636	LNJ308G81/1-3/X	LED		G161E G161EU G161EX G161EY G162E G162EU G162EX G162EY
D636	SML-310VT/JK/-X	LED		G161E G161EU G161EX G161EY G162E G162EU G162EX G162EY
D637	LNJ308G81/1-3/X	LED		G161E G161EU G161EX G161EY G162E G162EU G162EX G162EY
D637	SML-310VT/JK/-X	LED		G161E G161EU G161EX G161EY G162E G162EU G162EX G162EY
D638	LNJ308G81/1-3/X	LED		G161E G161EU G161EX G161EY G162E G162EU G162EX G162EY
D638	SML-310VT/JK/-X	LED		G161E G161EU G161EX G161EY G162E G162EU G162EX G162EY
D639	LNJ308G81/1-3/X	LED		G161E G161EU G161EX G161EY G162E G162EU G162EX G162EY
D639	SML-310VT/JK/-X	LED		G161E G161EU G161EX G161EY G162E G162EU G162EX G162EY

△ Symbol No.	Part No.	Part Name	Description	Local	△ Symbol No.	Part No.	Part Name	Description	Local
D640	LNJ308G81/1-3/X	LED		G161E G161EU G161EX G161EY	R630	NRSA63J-821X	MG RESISTOR	820Ω 1/16W J	
D640	SML-310VT/JK/-X	LED		G162E G162EU G162EX G162EY	R631	NRSA63J-471X	MG RESISTOR	470Ω 1/16W J	
D641	LNJ308G81/1-3/X	LED		G161E G161EU G161EX G161EY	R633	NRSA63J-122X	MG RESISTOR	1.2kΩ 1/16W J	G161E G161EU G161EX G161EY
D641	SML-310VT/JK/-X	LED		G162E G162EU G162EX G162EY	R633	NRSA63J-471X	MG RESISTOR	470Ω 1/16W J	G162E G162EU G162EX G162EY
D642	LNJ308G81/1-3/X	LED		G161E G161EU G161EX G161EY	R634	NRSA63J-152X	MG RESISTOR	1.5kΩ 1/16W J	G161E G161EU G161EX G161EY
D642	SML-310VT/JK/-X	LED		G162E G162EU G162EX G162EY	R635	NRSA63J-561X	MG RESISTOR	560Ω 1/16W J	G161E G161EU G161EX G161EY
D643	LNJ308G81/1-3/X	LED		G161E G161EU G161EX G161EY	R637	NRSA63J-331X	MG RESISTOR	330Ω 1/16W J	
D643	SML-310VT/JK/-X	LED		G162E G162EU G162EX G162EY	R639	NRSA63J-331X	MG RESISTOR	330Ω 1/16W J	
D644	LNJ308G81/1-3/X	LED		G161E G161EU G161EX G161EY	R641	NRSA63J-331X	MG RESISTOR	330Ω 1/16W J	
D644	SML-310VT/JK/-X	LED		G162E G162EU G162EX G162EY	R643	NRSA63J-471X	MG RESISTOR	470Ω 1/16W J	
D645	LNJ308G81/1-3/X	LED		G161E G161EU G161EX G161EY	R645	NRSA63J-471X	MG RESISTOR	470Ω 1/16W J	
D645	SML-310VT/JK/-X	LED		G162E G162EU G162EX G162EY	R649	NRS181J-391X	MG RESISTOR	390Ω 1/8W J	
D646	LNJ308G81/1-3/X	LED		G161E G161EU G161EX G161EY	R650	NRS181J-391X	MG RESISTOR	390Ω 1/8W J	
D646	SML-310VT/JK/-X	LED		G162E G162EU G162EX G162EY	R661	NRSA63J-222X	MG RESISTOR	2.2kΩ 1/16W J	
D647	LNJ308G81/1-3/X	LED		G161E G161EU G161EX G161EY	R662	NRSA63J-222X	MG RESISTOR	2.2kΩ 1/16W J	
D647	SML-310VT/JK/-X	LED		G162E G162EU G162EX G162EY	R663	NRSA63J-184X	MG RESISTOR	180kΩ 1/16W J	
D648	LNJ308G81/1-3/X	LED		G161E G161EU G161EX G161EY	R664	NRSA63J-103X	MG RESISTOR	10kΩ 1/16W J	
D648	SML-310VT/JK/-X	LED		G162E G162EU G162EX G162EY	R665	NRSA63J-513X	MG RESISTOR	51kΩ 1/16W J	
D649	LNJ308G81/1-3/X	LED		G161E G161EU G161EX G161EY	R666	NRSA63J-103X	MG RESISTOR	10kΩ 1/16W J	
D649	SML-310VT/JK/-X	LED		G162E G162EU G162EX G162EY	R667	NRSA63J-103X	MG RESISTOR	10kΩ 1/16W J	
D652	NSPW310BS/BRST/	WHITE LED		G161E G161EU G161EX G161EY	R668	NRSA63J-103X	MG RESISTOR	10kΩ 1/16W J	
D653	NSPW310BS/BRST/	WHITE LED		G162E G162EU G162EX G162EY	R670	NRS181J-0R0X	MG RESISTOR	0Ω 1/8W J	
D661	1SS355W-X	DIODE C.M		G161E G161EU G161EX G161EY	R686	NRSA63J-101X	MG RESISTOR	100Ω 1/16W J	
D662	UDZW5.1B-X	SI DIODE		G162E G162EU G162EX G162EY	CJ601	QGZ1601K1-15S	CONNECTOR	(1-15)	
C661	NBE20JM-106X	TA E CAPACITOR	10uF 6.3V M		JS686	QSW0976-001	ROTARY ENCODER		
C662	NCS31HJ-681X	C CAPACITOR	680pF 50V J		S601	NSW0283-001X	TACT SW		
C663	NCB31HK-223X	C CAPACITOR	0.022uF 50V K		S602	NSW0283-001X	TACT SW		
C686	NCB31HK-223X	C CAPACITOR	0.022uF 50V K		S603	NSW0283-001X	TACT SW		
C687	NCB31HK-223X	C CAPACITOR	0.022uF 50V K		S604	NSW0283-001X	TACT SW		
R601	NRSA63J-821X	MG RESISTOR	820Ω 1/16W J		S605	NSW0283-001X	TACT SW		
R602	NRSA63J-821X	MG RESISTOR	820Ω 1/16W J		S606	NSW0283-001X	TACT SW		
R603	NRSA63J-122X	MG RESISTOR	1.2kΩ 1/16W J		S607	NSW0283-001X	TACT SW		
R604	NRSA63J-182X	MG RESISTOR	1.8kΩ 1/16W J		S608	NSW0283-001X	TACT SW		
R605	NRSA63J-272X	MG RESISTOR	2.7kΩ 1/16W J		S609	NSW0283-001X	TACT SW		
R606	NRSA63J-821X	MG RESISTOR	820Ω 1/16W J		S610	NSW0283-001X	TACT SW		
R607	NRSA63J-821X	MG RESISTOR	820Ω 1/16W J		S611	NSW0283-001X	TACT SW		
R608	NRSA63J-122X	MG RESISTOR	1.2kΩ 1/16W J		S612	NSW0283-001X	TACT SW		
R609	NRSA63J-182X	MG RESISTOR	1.8kΩ 1/16W J		S613	NSW0283-001X	TACT SW		
R610	NRSA63J-272X	MG RESISTOR	2.7kΩ 1/16W J		S614	NSW0283-001X	TACT SW		
R611	NRSA63J-821X	MG RESISTOR	820Ω 1/16W J		S615	NSW0283-001X	TACT SW		
R612	NRSA63J-821X	MG RESISTOR	820Ω 1/16W J		S616	NSW0283-001X	TACT SW		
R613	NRSA63J-122X	MG RESISTOR	1.2kΩ 1/16W J						

Packing materials and accessories parts list

Block No. **M 3 M M**

No additional / supplemental order of WARRANTY CARDS are available.



Packing and Accessories

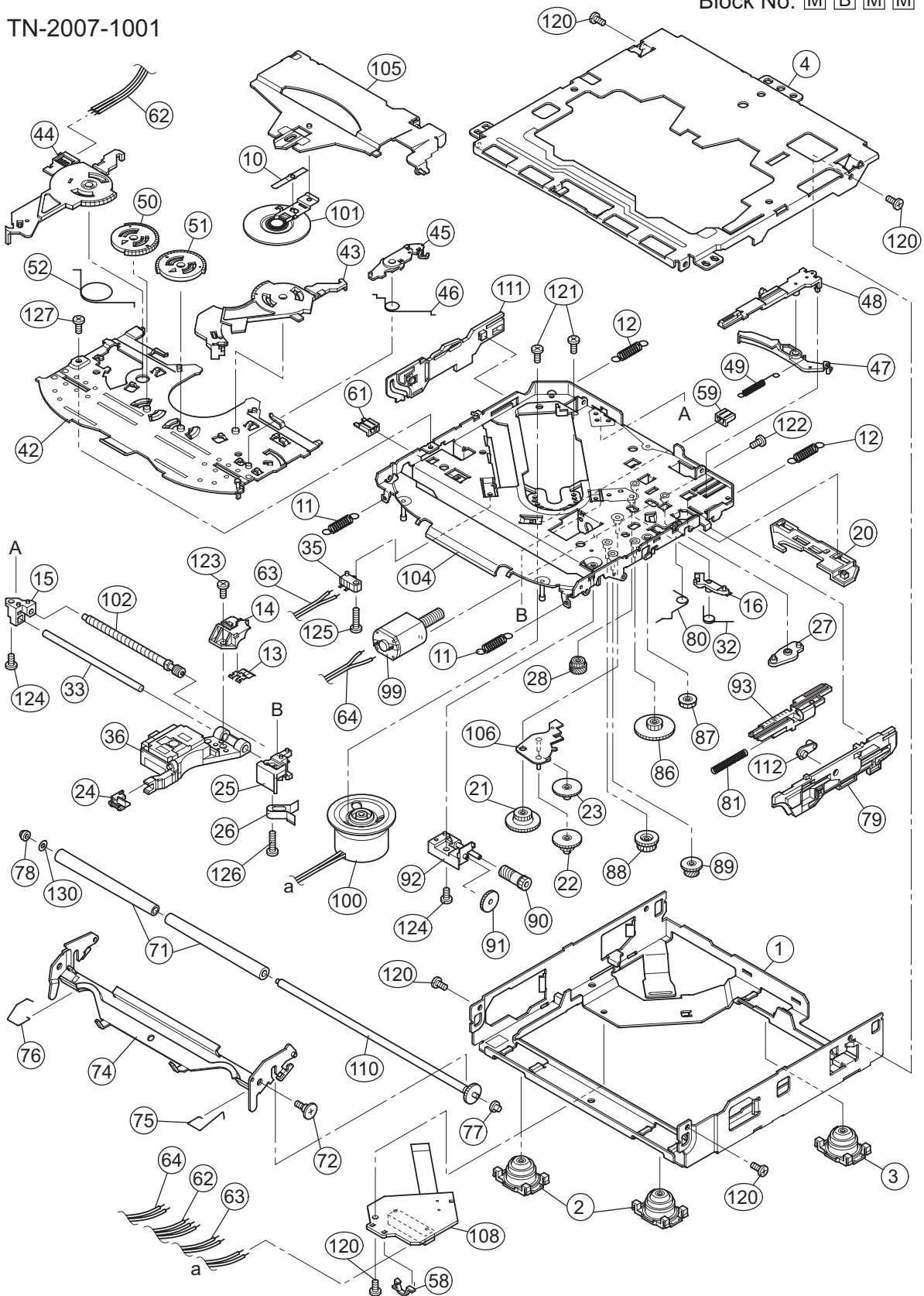
Block No. [M][3][M][M]

△	Symbol No.	Part No.	Part Name	Description	Local
	A 1	GE20137-003A	MOUNTING SLEEVE		
	A 2	GE20135-010A	TRIM PLATE		G120J,G120RJ,G124UI,G125U,G125UH,G125UN G125UT,G161E,G161EU,G161EX,G161EY
	A 2	GE20135-001A	TRIM PLATE		G123UI,G126U,G126UH,G126UN,G126UT,G162E G162EU,G162EX,G162EY
	A 3	GET0330-001A	INST BOOK	ENG SPA FRE	G120J,G120RJ
	A 3	GET0332-001A	INST BOOK	ENG	G123UI,G124UI
	A 3	GET0331-001A	INST BOOK	ENG THA	G125U,G125UH,G126U,G126UH
	A 3	GET0331-004A	INST BOOK	ENG INA	G125UN,G126UN
	A 3	GET0331-005A	INST BOOK	ENG CHI(TAIWAN)	G125UT,G126UT
	A 3	GET0334-001A	INST BOOK	GER FRE ITA	G161E,G162E
	A 3	GET0334-005A	INST BOOK	SPA TUR PER	G161EU,G162EU
	A 3	GET0334-004A	INST BOOK	DUT SWE DAN FIN	G161EX,G162EX
	A 3	GET0334-006A	INST BOOK	ENG GER RUS	G161EY,G162EY
	A 4	GET0331-002A	INST BOOK	KOR CHI(TAIWAN) ARA PER	G125U,G126U
	A 4	GET0334-002A	INST BOOK	SPA GER POR	G161E,G162E
	A 4	GET0334-003A	INST BOOK	ENG FRE	G161EU,G161EX,G162EU,G162EX
	A 4	GET0334-007A	INST BOOK	POL CZE HUN	G161EY,G162EY
	A 5	GET0331-003A	INST BOOK	RUS	G125U,G126U
	A 6	GET0330-002A	INSTALL MANUAL		G120J,G120RJ
	A 6	GET0332-002A	INSTALL MANUAL		G123UI,G124UI
	A 6	GET0331-006A	INSTALL MANUAL		G125U,G125UH,G126U,G126UH
	A 6	GET0331-009A	INSTALL MANUAL		G125UN,G126UN
	A 6	GET0331-010A	INSTALL MANUAL		G125UT,G126UT
	A 6	GET0334-008A	INSTALL MANUAL		G161E,G162E
	A 6	GET0334-010A	INSTALL MANUAL		G161EU,G161EX,G162EU,G162EX
	A 6	GET0334-013A	INSTALL MANUAL		G161EY,G162EY
	A 7	GET0331-007A	INSTALL MANUAL		G125U,G126U
	A 7	GET0334-009A	INSTALL MANUAL		G161E,G162E
	A 7	GET0334-012A	INSTALL MANUAL		G161EU,G162EU
	A 7	GET0334-011A	INSTALL MANUAL		G161EX,G162EX
	A 7	GET0334-014A	INSTALL MANUAL		G161EY,G162EY
	A 8	GET0331-008A	INSTALL MANUAL		G125U,G126U
	A 9	LVT0717-001B	TROUBLE SHEET(C		G120J,G120RJ
	A 10	-----	WARRANTY CARD	BT-52006-2	G120J,G120RJ
	A 10	-----	WARRANTY CARD	BT-54027-1	G161E,G161EX,G161EY,G162E,G162EX,G162EY
	A 11	-----	WARRANTY CARD	BT-51018-4	G120J,G120RJ
	A 12	BT-51034-2	REGISTRATION CARD		G120J,G120RJ
	A 13	LVT1435-001A	WEEE SHEET		G161E,G161EU,G161EX,G161EY,G162E,G162EU G162EX,G162EY
	A 14	VND3046-001	SERIAL TICKET		G161E,G161EX,G161EY,G162E,G162EX,G162EY
	A 15	VKZ4027-202	PLUG NUT		
	A 16	VKH4871-003	MOUNT BOLT		
	A 17	VKZ4328-003	LOCK NUT		
	A 18	QYWWS53A008ZA	WASHER	0mm/5.3mm x	
	A 19	GE40130-002A	HOOK	(x2)	
	A 20	FSJB3002-30C	HARD CASE		
	A 21	QAM0013-008	16P CORD ASSY		G120J,G120RJ
	A 21	QAM0390-004	16P CORD ASSY		G123UI,G124UI,G125U,G125UH,G125UN,G125UT G126U,G126UH,G126UN,G126UT
△	A 21	QAM0463-002	POWER CORD		G161E,G161EU,G161EX,G161EY,G162E,G162EU G162EX,G162EY
	A 22	VND3050-002	IDENTITY CARD		G161E,G161EX,G161EY,G162E,G162EX,G162EY
	KIT	SRW-385U	SCREW PART KIT	A15 A16 A17 A18 A19	
	P 1	QPC03004315P	POLY BAG	30cm x 43cm	
	P 2	FSPG4002-001	POLY BAG		G120J,G120RJ,G123UI,G124UI,G125UH,G125UN G125UT,G126UH,G126UN,G126UT
	P 2	FSPG4002-001	POLY BAG	(x2)	G125U,G126U,G161E,G161EU,G161EX,G161EY G162E,G162EU,G162EX,G162EY
	P 3	QPA00801205	POLY BAG	8cm x 12cm	
	P 4	GE10070-003A	EPS CUSHION		
	P 5	GE31835-002A	CARTON		G120J
	P 5	GE32114-002A	CARTON		G120RJ
	P 5	GE32006-002A	CARTON		G123UI
	P 5	GE32009-002A	CARTON		G124UI
	P 5	GE31838-002A	CARTON		G125U,G125UH,G125UN,G125UT
	P 5	GE31841-002A	CARTON		G126U,G126UH,G126UN,G126UT
	P 5	GE31853-002A	CARTON		G161E,G161EU,G161EX,G161EY
	P 5	GE31856-002A	CARTON		G162E,G162EU,G162EX,G162EY
	P 6	QPA01003003	POLY BAG	10cm x 30cm	
	P 7	QPC01002515	POLY BAG	10cm x 25cm	

CD mechanism assembly and parts list

Block No. **M B M M**

TN-2007-1001



CD mechanism

Block No. [M][B][M][M]

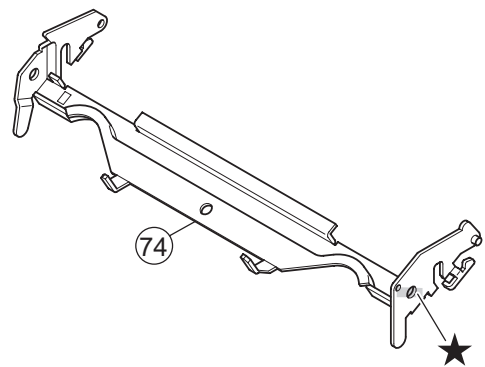
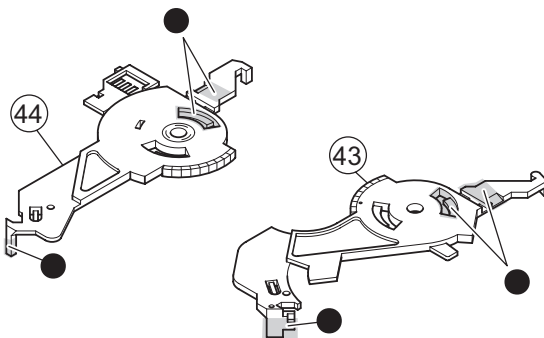
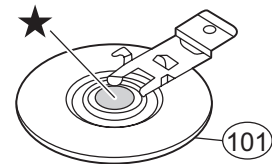
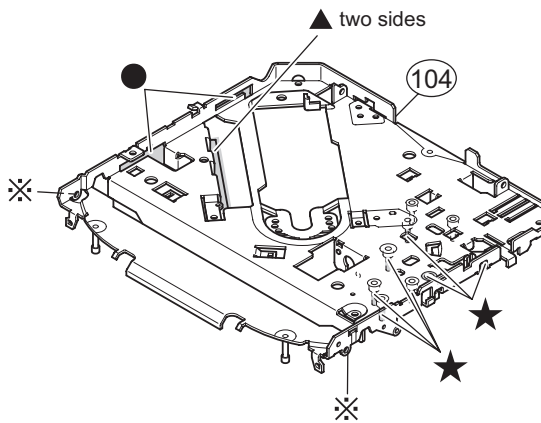
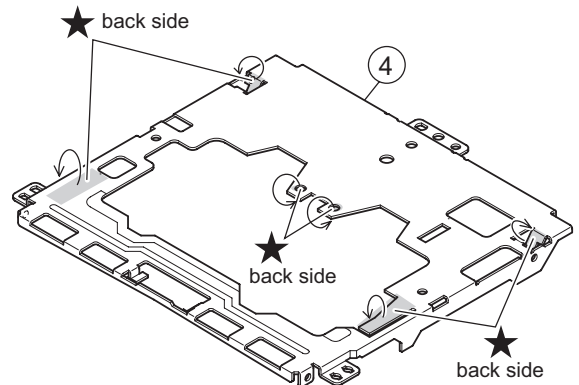
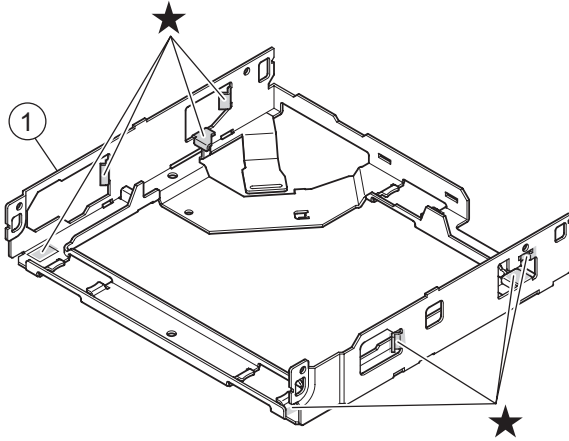
△ Symbol No.	Part No.	Part Name	Description	Local
1	30350101T	FRAME		
2	30350103T	DAMPER F	(x2)	
3	30350104T	DAMPER R		
4	30350107T	TOP COVER		
10	30320513T	CLAMPER SUB SPG		
11	30350505T	FRONT SUS SPG	(x2)	
12	30350506T	REAR SUS SPRING	(x2)	
13	30350508T	FEED NUT SPP		
14	30350509T	FEED SCREW HLDR		
15	30350525T	PU SHAFT HLDR B		
16	30350528T	LOCK LEVER	CHANGE	
20	30350529T	LOCK PLATE	CHANGE	
21	30350531T	CHANGE GEAR2		
22	30350532T	CHANGE GEAR 3A		
23	30350533T	CHANGE GEAR 3B		
24	30350535T	FEED SUB HOLDER		
25	30350536T	PU SHAFT HLDR A		
26	30350539T	FD THRUST SPP		
27	30350542T	CHANGE ARM		
28	30350552T	FEED GEAR 1		
32	30350554T	LOCK LEVER SP	CHANGE	
33	30350555T	PU SHAFT		
35	64010418T	PUSH SW P389-01		
36	69011620T	PICK UP	OPTIMA-726A1	
42	30350801T	TOP PLATE		
43	30350802T	SELECT ARM R		
44	30350803T	MODE SWICH		
45	30350806T	SELECT LOCK ARM		
46	30350807T	SPRING	SEL LOCK ARM	
47	30350808T	TRIGGER ARM		
48	30350809T	TRG ARM BASE		
49	30350810T	TRIGGER ARM SPR		
50	30350811T	LINK GEAR L		
51	30350812T	LINK GEAR R		
52	30350813T	LINK GEAR SPR		
58	19501403T	WIRE CLUMPER		
59	30321013T	WIRE CLAMPER	M	
61	30351001T	WIRE CLAMPER		
62	30351008T	MODE SW WIRE	V	
63	30351003T	REST SW WIRE		
64	30351004T	LD WIRE		
71	30321137T	LDG ROLLER (N)	(x2)	
72	30321143T	COLLAR SCREW		
74	30351101T	LOCK ARM		
75	30351102T	LD ROLLER SPR R		
76	30351103T	LD ROLLER SPR L		
77	30351105T	ROLLER GUIDE R		
78	30351106T	ROLLER GUIDE L		
79	30351116T	CAM PLATE R (N)		
80	30351111T	TR CONTROL SPR		
81	30351113T	SPRING	TRIGGER RACK	
86	30351122T	LOADING GEAR 1		
87	30351123T	LOADING GEAR 2		
88	30351128T	LOADING GEAR 3		
89	30351129T	LOADING GEAR 4		
90	30351130T	LOADING GEAR 5		
91	30351131T	LOADING GEAR 6		
92	30351133T	LD GEAR BRACKET		
93	30351135T	PLATE	TRIGGER RACK	
99	303505301T	MOTOR ASSY	LOADING/FEED	
100	303505302T	SPINDLE MOTOR	ASSY	
101	303505303T	CLAMPER ASSY		
102	303505304T	FEED SCREW ASSY		
104	303505501T	CHASSIS RIVET	ASSY	
105	303505502T	CLAMPER ARM RVT	ASSY	
106	303505503T	RIVET ASSY	CHANGE GEAR PLATE	
108	303510301T	BASE BOARD ASSY		
110	303511301T	ROLLER SHAFT	ASSY	
111	303511302T	CAM PLATE L	ASSY	
112	303511501T	SLIDE HOOK RVT	ASSY	
120	9P0420037T	SCREW	2X3(x5)	
121	9C0117187T	SCREW	1.7X1.8(x2)	
122	9C0120207T	SCREW	2X2	
123	9C4517506T	SCREW	1.7X5	

△	Symbol No.	Part No.	Part Name	Description	Local
	124	9P0420047T	SCREW	2X4(x2)	
	125	9P0420067T	SCREW	2X6	
	126	9P0420087T	SCREW	2X8	
	127	9C0420257T	SCREW	2X2.5	
	130	9W0513060T	HL WASHER	1.85X5X0.13	

Grease point 1/2

grease

- ★ TNG-87
- TN-4456
- ▲ TNS-925R
- ※ GP-501MK



Grease point 2/2

grease

- ★ TNG-87
- TN-4456
- ▲ TNS-925R
- G-322

